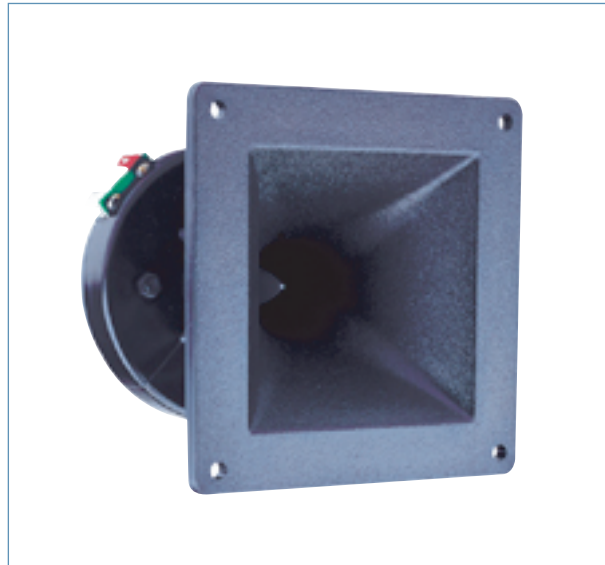


Applications

PHT-405

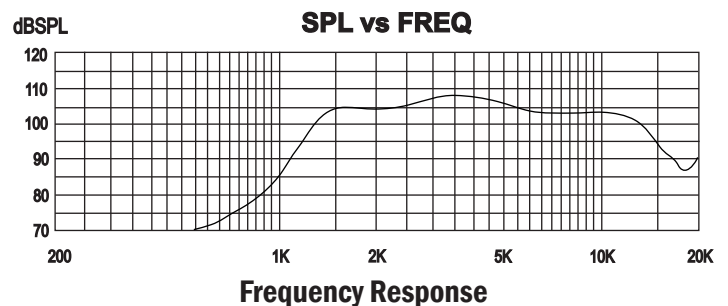
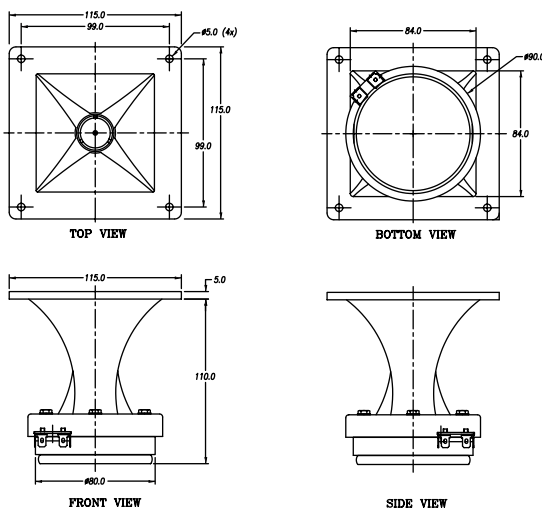
The P Audio PHT-405 is a high frequency horn coupled to a small format compression driver. The small format design insures extended high range response and break up free operation at extended frequencies. The PHT-405 has a rated frequency response of 2kHz to beyond 16kHz. This rated bandwidth allows the PHT-405 to be used in two way designs where the low frequency response is provided by an 8 inch or 10 inch woofer. Because the PHT-405 may be used to 2kHz the system is also usable for the high response in a two way system where the lower response is provided by a high output 12 inch woofer.

The rated sensitivity of the PHT-405 is 105 dB with an electrical input of one watt and measured at a distance of one meter. The PHT-405 features a 1 inch diameter (25.4mm) phenolic based diaphragm assembly. The small format (1 inch) diaphragm is ideal for maintaining piston range performance in the upper frequency range. The geometry is square and is 4.5 inches (115mm) per side. The PHT-405 is made using a glass filled ABS material that provides both a high degree of structural support and excellent acoustic damping.



Specifications

Diaphragm Diameter	1.0 inch (25.4mm)
Nominal Impedance	8 Ohm
Voice Coil DC Resistance	7.2 Ohm
Power Handling	20 Watt
Sound Pressure Level (1W@1M)	105 dB
Magnet	Ferrite
Diaphragm Material	Phenolic Resin
Horn Material	A.B.S With Glass Filled Black Polycarbonate
Nominal Coverage Angle (H x V) -6 dB	50° x 50°
Cutoff frequency	2 kHz
Baffle cutout dimension	90mm x 90mm 3.54" x 3.54"
Net Weight	0.90kg (1.98 lbs)
Shipping Weight	0.96kg (2.11 lbs)



19/4 Moo 2 T.Bangkratuk A. Samparn Nakornpathom 73210 Thailand
 Tel: +66-2-441-6600 Auto 30 Lines
 e-mail: info@paudiothailand.com
 Web site: www.paudiothailand.com
 All rights reserved by P.Audio System Co., Ltd. 2007

