

# DF10.172K

Lavoce

## 1" COMPRESSION DRIVER

FERRITE MAGNET

- 1.7 INCH EDGEWOUND CCA VOICE COIL
- 108,5 dB/SPL SENSITIVITY
- 120 W PROGRAM POWER HANDLING
- FEM OPTIMIZED MOTOR, PHASEPLUG AND DIAPHRAGM
- 1000 - 20000 Hz FREQUENCY RANGE
- POLYIMIDE DIAPHRAGM
- NEXT GENERATION HF DESIGN



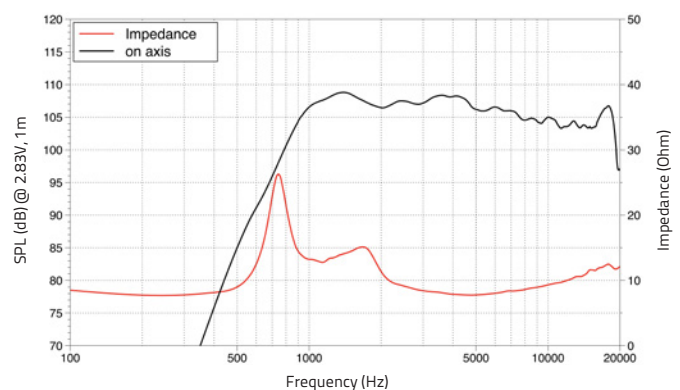
### GENERAL SPECIFICATIONS

|                            |                      |                   |
|----------------------------|----------------------|-------------------|
| Throat diameter            | mm (in.)             | 25,4 (1)          |
| Nominal impedance          | $\Omega$             | 8                 |
| Minimum impedance          | $\Omega$             | 7,3               |
| Program power (1)          | W                    | 120               |
| AES Power rating (2)       | W                    | 60                |
| Sensitivity (3)            | dB                   | 108,5             |
| Frequency range            | Hz                   | 1000 ÷ 20000      |
| Voice coil diameter        | mm (in.)             | 44,4 (1.7)        |
| Magnet material            |                      | Ferrite           |
| Magnet OD                  | mm (in.)             | 114 (4.5)         |
| Coil material              |                      | Edgewound CCA     |
| Former material            |                      | Kapton            |
| Diaphragm material         |                      | Polyimide         |
| Surround material          |                      | Polyimide, vented |
| Voice coil Inductance      | mH                   | 0,08              |
| Flux density               | T                    | 1,75              |
| Recommended crossover (4)  | Hz                   | 1600              |
| Driver displacement volume | l (ft <sup>3</sup> ) | 0,4 (0.01)        |

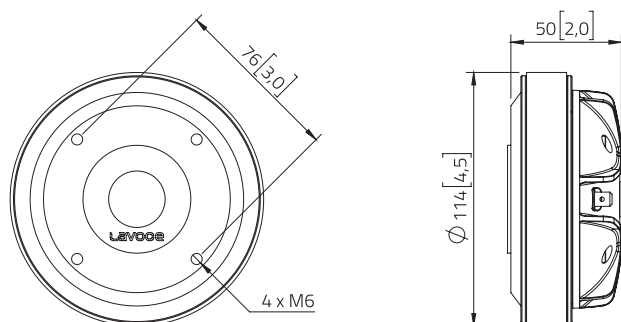
### SHIPPING INFORMATION

|                    |          |                   |
|--------------------|----------|-------------------|
| Net weight         | kg (lb.) | 1,7 (3.7)         |
| Multipack size (9) | mm       | 483 x 448 x 96    |
| W x D x H          | (in.)    | (19 x 17.6 x 3.8) |
| Multipack weight   | kg (lb.) | 17,2 (37.9)       |

### FREQUENCY RESPONSE



### DIMENSIONS mm (in.)



(1) Program power is defined as 3 dB greater than AES Power. (2) Horn loaded test for 2h with continuous, band-limited (1600-20000 Hz, 12dB/oct.) pink noise as per AES 2-1984 Rev. 2003. (3) Measured on axis at 2.83V, 1m, driver loaded with HD1003 horn, SPL averaged in the frequency range 1000 ÷ 20000 Hz. (4) High pass filter with slope 12dB/oct. or higher.

All specifications subject to change without notice\_E.a

[WWW.LAVOCESPEAKERS.COM](http://WWW.LAVOCESPEAKERS.COM)



Lavoce Italiana

[sales@lavocespeakers.com](mailto:sales@lavocespeakers.com) [sales.cn@lavocespeakers.com](mailto:sales.cn@lavocespeakers.com)