

# DF10.101LE

Lavoce

## 1" COMPRESSION DRIVER

FERRITE MAGNET

### PRELIMINARY

- 1 INCH CCAW VOICE COIL
- 106 dB/SPL SENSITIVITY
- 30 W PROGRAM POWER HANDLING
- FEM OPTIMIZED MOTOR, PHASEPLUG AND DIAPHRAGM
- 1500 - 20000 Hz FREQUENCY RANGE
- HIGH TEMPERATURE POLYMER DIAPHRAGM AND SURROUND
- NEXT GENERATION HF DESIGN
- COMPACT SIZE 70 mm DIAMETER



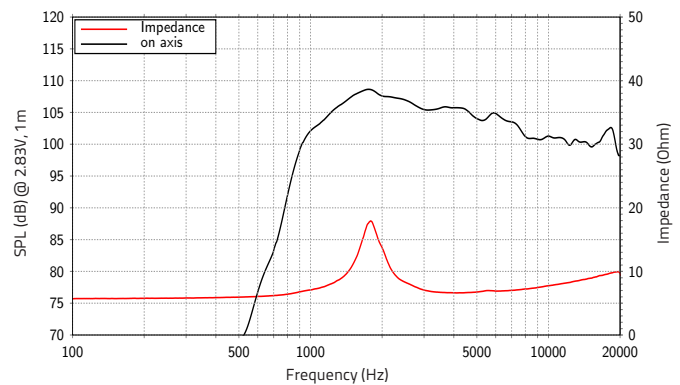
### GENERAL SPECIFICATIONS

Throat diameter	mm (in.)	25,4 (1)
Nominal impedance	$\Omega$	8
Minimum impedance	$\Omega$	6
Program power (1)	W	30
AES Power rating (2)	W	15
Sensitivity (3)	dB	106
Frequency range	Hz	1500 ÷ 20000
Voice coil diameter	mm (in.)	25,4 (1)
Magnet material		Ferrite
Magnet OD	mm (in.)	70 (2.8)
Coil material		CCA W
Former material		Kapton
Diaphragm material		High Temperature Polymer
Surround material		High Temperature Polymer
Voice coil Inductance	mH	0,09
Flux density	T	1,35
Recommended crossover (4)	Hz	2000
Driver displacement volume	l (ft <sup>3</sup> )	0,1 (0.0035)

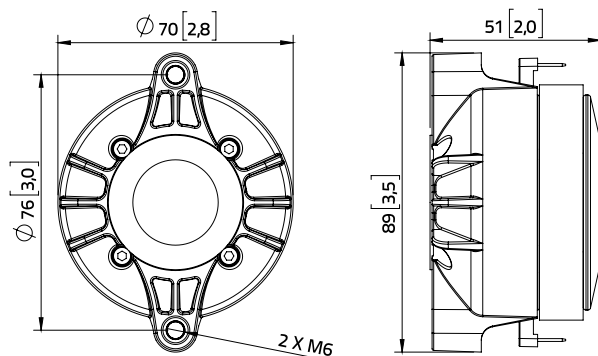
### SHIPPING INFORMATION

Net weight	kg (lb.)	0,47 (1.04)
Multipack size (12)	mm	362 x 346 x 174
W x D x H	(in.)	(14.25 x 13.62 x 6.85)
Multipack weight	kg (lb.)	6,5 (14.33)

### FREQUENCY RESPONSE



### DIMENSIONS mm (in.)



(1) Program power is defined as 3 dB greater than AES Power. (2) Horn loaded test for 2h with continuous, band-limited (2000-20000 Hz, 12dB/oct.) pink noise as per AES 2-1984 Rev. 2003. (3) Measured on axis at 2.83V, 1m, driver loaded with HD1003 horn, SPL averaged in the frequency range 1500 ÷ 20000 Hz. (4) High pass filter with slope 12dB/oct. or higher.

All specifications subject to change without notice\_G.a

[WWW.LAVOCESPEAKERS.COM](http://WWW.LAVOCESPEAKERS.COM)



Lavoce Italiana

[sales@lavocespeakers.com](mailto:sales@lavocespeakers.com) [sales.cn@lavocespeakers.com](mailto:sales.cn@lavocespeakers.com)