

BF10.10LA

Lavoce

1" COMPRESSION TWEETER

FERRITE MAGNET

PRELIMINARY

- 1 INCH CCAW VOICE COIL
- 106 dB/SPL SENSITIVITY
- 40 W PROGRAM POWER HANDLING
- FEM OPTIMIZED MOTOR, PHASEPLUG AND DIAPHRAGM
- 2500 - 18000 Hz FREQUENCY RANGE
- ALUMINIUM DIAPHRAGM
- NEXT GENERATION HF DESIGN



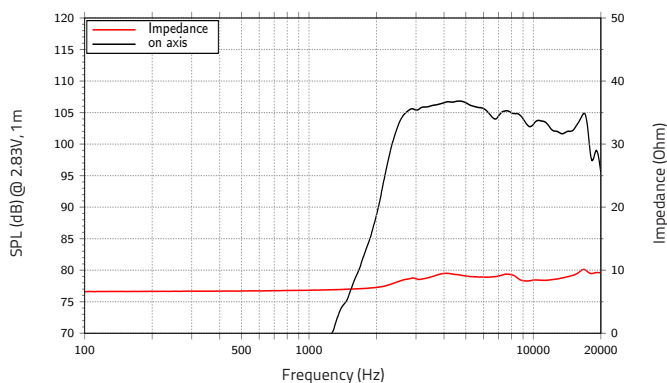
GENERAL SPECIFICATIONS

Nominal impedance	Ω	8
Minimum impedance	Ω	7,5
Program power (1)	W	40
AES Power rating (2)	W	20
Sensitivity (3)	dB	106
Frequency range	Hz	2500 ÷ 18000
Voice coil diameter	mm (in.)	25,4 (1)
Magnet material		Ferrite
Magnet OD	mm (in.)	72 (2.8)
Coil material		CCA W
Former material		Kapton
Diaphragm material		Aluminium
Surround material		Aluminium
Voice coil Inductance	mH	0,03
Flux density	T	1,5
Recommended crossover (4)	Hz	5000
Driver displacement volume	l (ft ³)	0,2 (0.007)

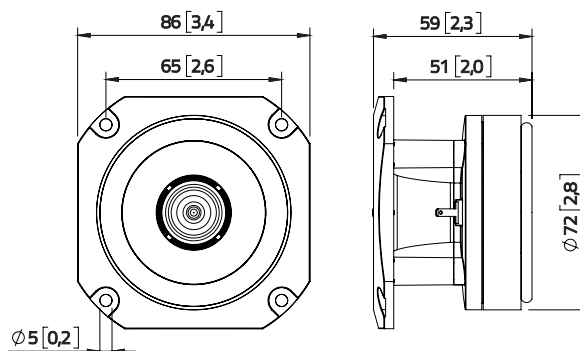
SHIPPING INFORMATION

Net weight	kg (lb.)	0,6 (1.3)
Multipack size (12)	mm (in.)	376 x 278 x 172 (14.6 x 10.9 x 6.8)
Multipack weight	kg (lb.)	8,2 (18.1)

FREQUENCY RESPONSE



DIMENSIONS mm (in.)



(1) Program power is defined as 3 dB greater than AES Power. (2) Tested 2h with continuous, band-limited (5000-20000 Hz, 12dB/oct.) pink noises per AES 2-1984 Rev. 2003. (3) Measured on axis at 2.83V, 1m, SPL averaged in the frequency range 2500 ÷ 18000 Hz. (4) Highpass filter with slope 12dB/oct. or higher.

All specifications subject to change without notice_E.a

WWW.LAVOCESPEAKERS.COM



Lavoce Italiana

sales@lavocespeakers.com sales.cn@lavocespeakers.com