

# FBASS10-18

Lavoce

## 10" BASS GUITAR WOOFER

FERRITE MAGNET  
STEEL BASKET DRIVER



- 1.8 INCH COPPER VOICE COIL
- 96 dB/SPL SENSITIVITY
- 300 WATT PROGRAM POWER HANDLING
- OVERALL BALANCED AND RICH TONE
- SOLID LOW-END AND TIGHT MID-HIGH'S

### GENERAL SPECIFICATIONS

Nominal diameter	mm (in.)	250 (10)
Nominal impedance	$\Omega$	8
Minimum impedance	$\Omega$	6,3
Program power (1)	W	300
AES Power rating (2)	W	150
Sensitivity (3)	dB	96
Frequency range	Hz	60 ÷ 5000
Voice coil diameter	mm (in.)	45 (1.8)
Chassis material	Steel	
Magnet material	Ferrite	
Magnet dimensions OD x ID x h	mm (in.)	134 x 60 x 18 (5.3 x 2.4 x 0.7)
Coil material	Copper	
Former material	Glass fiber	
Cone material	Water Proof Treated Paper	
Surround material	Polycotton	
Xmax (4)	mm (in.)	4,5 (0.18)
Xmech (5)	mm (in.)	7 (0.28)
Gap height	mm (in.)	6 (0.24)
Voice coil winding height	mm (in.)	12 (0.47)
Driver displacement volume	l (ft <sup>3</sup> )	1 (0.04)

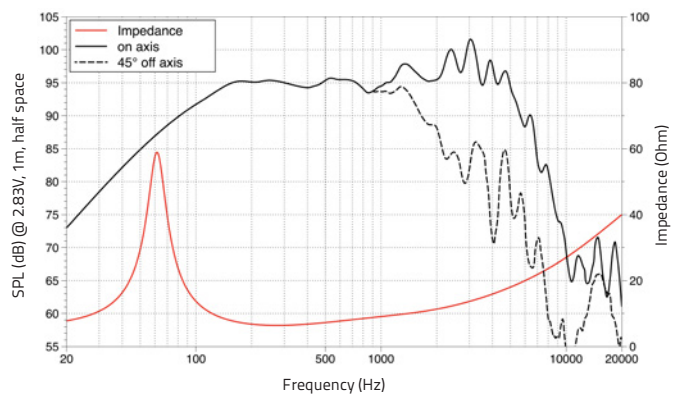
### SMALL SIGNAL PARAMETERS

DC resistance	Re	Ohm	5,6
Resonance frequency	Fs	Hz	62
Moving mass	Mms	g (oz)	32.2 (1.14)
Compliance	Cms	mm/N	0,20
Force factor	BxL	N/A	12,4
Mechanical Q-factor	Qms		4,4
Electrical Q-factor	Qes		0,46
Total Q-factor	Qts		0,42
Equivalent air volume	Vas	l (ft <sup>3</sup> )	35 (1.24)
Voice coil Inductance	Le	mH	0,50
Diaphragm area	Sd	cm <sup>2</sup> (in. <sup>2</sup> )	353 (54.72)
Reference efficiency	Eta 0	%	1,80

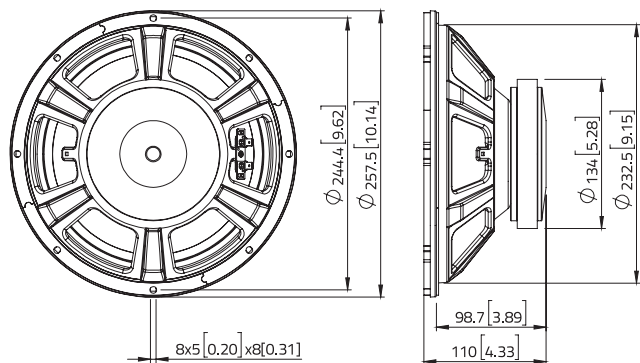
### SHIPPING INFORMATION

Net weight	kg (lb.)	2,7 (5.9)
Multipack size (1)	mm (in.)	300 x 300 x 148 (11.8 x 11.8 x 5.8)
Multipack weight	kg (lb.)	3,7 (8)

### FREQUENCY RESPONSE



### DIMENSIONS mm (in.)



(1) Program power is defined as 3 dB greater than AES Power. (2) Tested for two hours using a continuous, band-limited pink noise signal as per AES 2-1984 Rev. 2003. Loudspeaker tested in free air. (3) From T/S parameters, measured with Klippel DA LPM module. (4) The Xmax is calculated as:  $(Hvc - Hg)/2 + Hg/4$ . Hvc is the voice coil height and Hg the gap height. (5) The Xmech is calculated as:  $(Hvc - Hg)/2 + (Hg - 2)$ . Hvc is the voice coil height and Hg the gap height. (6) Thiele-Small parameters are measured after preconditioning: a) at 20°C - 22°C, 50% humidity for 2 hours; b) by Klippel LSI measurement.

All specifications subject to change without notice\_B.a

