

# COLOSSUS 15SB

BASS DRIVER



**15" / 381 mm**

CHASSIS DIAMETER

**1600 W**

PROGRAM POWER

**40 Hz - 3 kHz**

FREQUENCY RESPONSE

**4" / 101.6 mm**

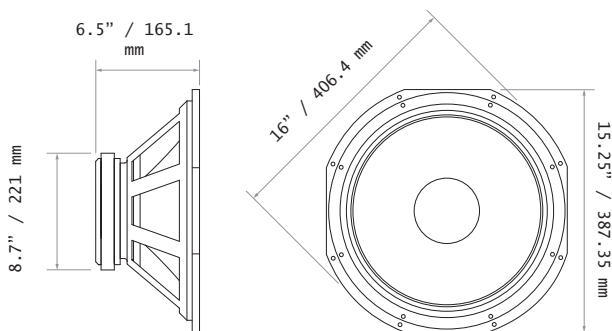
VOICE COIL DIAMETER

**99 dB**

SENSITIVITY (1W/ 1m)

**6.5 mm Xmax**

- + Offers high SPL and attack in two-way ported enclosures.
- + Optimised non-inductive motor system efficiently controls magnetic flux and reduces third-harmonic and intermodulation distortion.
- + Dynamic, smooth and detailed low frequency reproduction.
- + Best suited for use in bass reflex enclosures, delivering bass down to 30Hz (-6dB) in a 125 Litre enclosure.
- + Can also be used well in horn loaded enclosure designs.
- + 4-inch Inside / Outside windings CCAW voice coil.
- + Waterproof cone.



## GENERAL SPECIFICATIONS

Nominal Chassis Diameter	15" / 381 mm
Nominal Impedance <sup>(1)</sup>	8 Ohm
Minimum Impedance Zmin	7.3 Ω
AES Power Handling <sup>(2)</sup>	800 W (A.E.S.)
Program Power	1600 W
<b>Peak Power</b> (6dB Crest Factor)	<b>3200 W</b>
Frequency Range (-6dB)	40 Hz - 3 kHz
<b>Sensitivity</b> (1W/ 1m)	<b>99 dB</b>
<b>Magnet Material</b>	<b>Ferrite</b>
Magnet Weight	120 oz
Magnetic Gap Depth	0.43" / 11 mm
Flux Density	1.1 Tesla
Former Material	Glass Fibre
Voice Coil Material	CCAW - Inside / Outside
Coil Winding Height	0.75" / 19 mm
<b>Voice Coil Diameter</b>	<b>4" / 101.6 mm</b>
Cone/ Dust Dome Material	Curvilinear Poly-cellulose / Paper
Surround / Edge Termination	Polyvinyl Damped Half Roll Linen

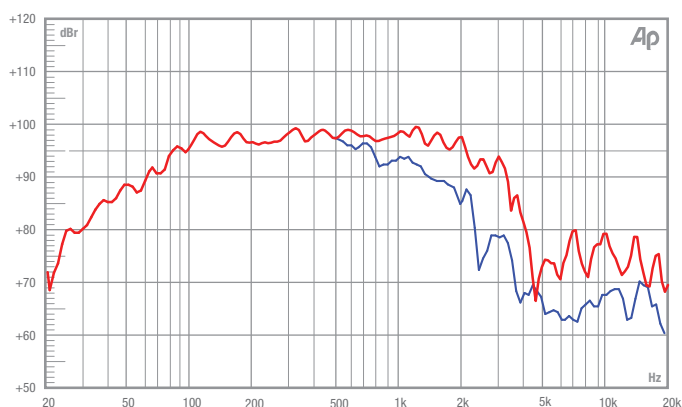
## TECHNICAL & THIELE SMALL PARAMETERS

Fs	41 Hz
Re	5.4 Ω
Qms	6.85
Qes	0.3
Qts	0.29
Vas	151 Litres
Vd	0.56 Litres
Cms	0.142 mm/N
Bl	22.5 T/m
Mms	106 g
Xmax	6.5 mm
Sd	866 cm <sup>2</sup>
Efficiency	3.34 %
Le (1k Hz)	2.15 mH
EBP	136.67 Hz
Effective Piston Diameter	13" / 330.2 mm
Rec. Enclosure Volume	75 - 125 Litres

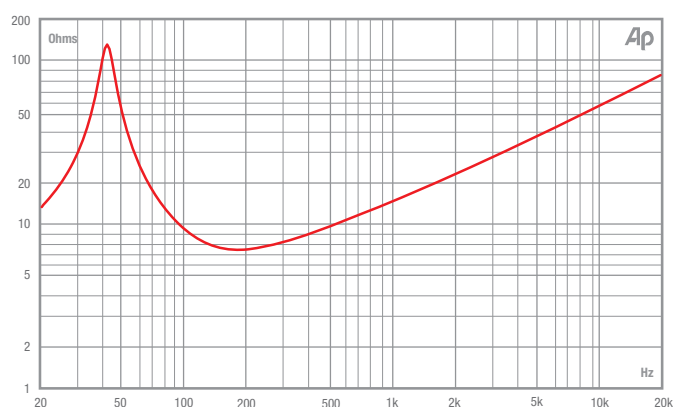
## MOUNTING / SHIPPING INFORMATION

Overall Diameter	16" / 406.4 mm
Width Across Flats	15.25" / 387.35 mm
Depth	6.5" / 165.1 mm
Flange Height	0.305" / 7.8 mm
Baffle Hole Diameter F/M	13.85" / 351.79 mm
Baffle Hole Diameter R/M	14" / 355.6 mm
<b>Chassis Material</b>	<b>Die-cast Aluminium</b>
Gasket Supplied	Front & Rear
Outer Fixing Holes	4x ø 7.1 mm on 393.7 mm PCD
Inner Fixing Holes	8x ø 7.1 mm on 370 mm PCD
Connectors <sup>(4)</sup>	Push-button Spring Terminals
<b>Weight</b>	<b>22.48 lb / 10.2 kg</b>
Shipping Weight	25.5 lb / 11.5 kg
Packing Carton Dimensions (mm)	(W) 440 (D) 440 (H) 220

## FREQUENCY RESPONSE DATA<sup>(3)</sup>



## IMPEDANCE



(1) Please enquire about alternative impedances.

(2) A.E.S. power handling test. Pink noise bandpass filtered at 12 dB per octave with cutoff frequencies of 45 Hz and 450 Hz. Driver mounted in free air, test signal applied at rated power for two hours.

(3) Half space response measured in a 975 Litre sealed box. Blue line = fundamental 45° off-axis. Please note that the frequency response measurements are supplied for comparison only and are not a measure of the low frequency performance which may be achieved in a fully optimised system.

(4) Positive voltage at red terminal causes forward motion of cone.