

KEY FEATURES

- 2" exit (50 mm) high frequency compression driver
- 4" (100 mm) voice coil diameter
- 200 W program power above 500 Hz
- Sensitivity: 112 dB, 1 W @ 1 m
- Integral pure Titanium diaphragm
- Lightweight aluminium voice coil
- Aluminium cover
- Ferrite magnet

TECHNICAL SPECIFICATIONS

Throat diameter	50,8 mm	2 in
Rated impedance		8 Ω
Minimum impedance	7 Ω @ 0,8 kHz	
D.C. resistance		5,6 Ω
Power capacity*	100 W _{AES} above 500 Hz	
	150 W _{AES} above 1,2 kHz	
Program power	200 W above 500 Hz	
	300 W above 1,2 kHz	
Sensitivity**	112 dB 1W @ 1m	
	coupled to TD-460/N	
Frequency range	0,5 - 20 kHz	
Recommended crossover	0,5 kHz or higher	
	(12 dB/oct min.)	
Voice coil diameter	101,6 mm	4 in
Magnetic assembly weight	8,9 kg	19,6 lb
Flux density		1,75 T
BL factor		15 N/A

MOUNTING INFORMATION

Overall diameter	228 mm	9 in
Depth	117 mm	4,6 in
Mounting	Four M6 threaded holes, 90° apart on 101,6 mm (4") diameter circle	
Net weight	10,3 kg	22,7 lb
Shipping weight	11 kg	24,2 lb

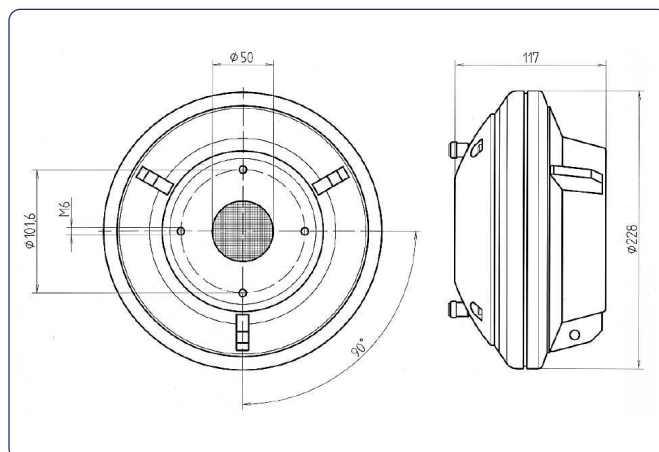
Notes:

* The power capacity is determined according to AES2-1984 (r2003) standard. Program power is defined as the transducer's ability to handle normal music program material.

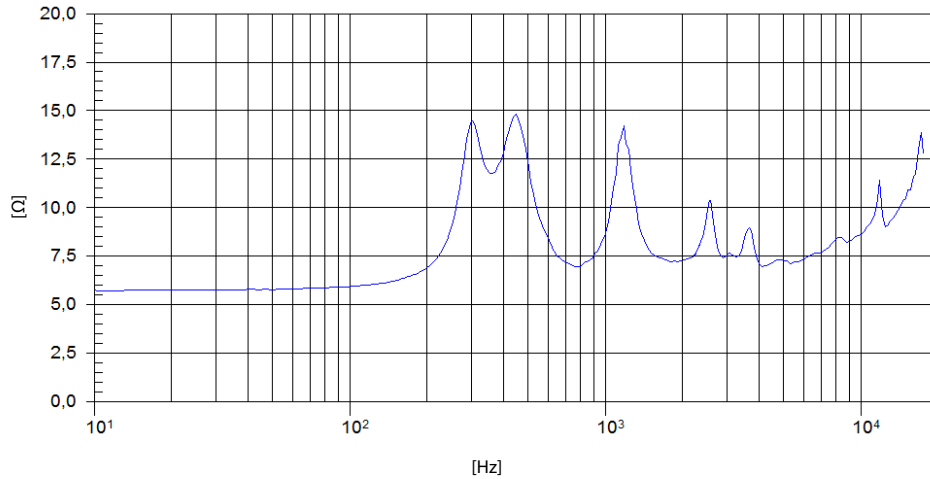
** Sensitivity was measured at 1m distance, on axis, with 1 W input, averaged in the range 1 - 7 kHz.



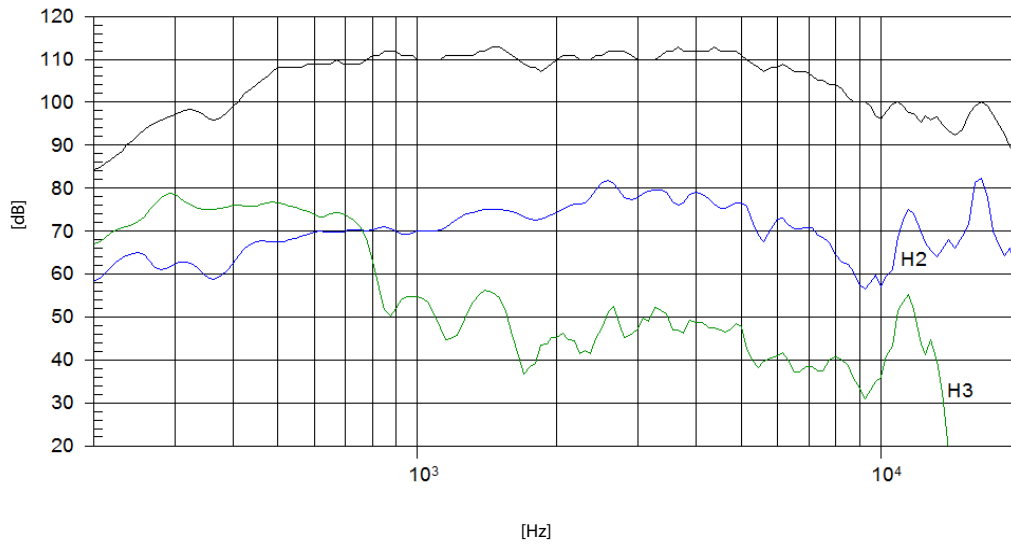
DIMENSION DRAWINGS



FREE AIR IMPEDANCE CURVE



FREQUENCY RESPONSE AND DISTORTION



Note: On axis frequency response measured coupled to TD-460/N horn in anechoic chamber, 1W @ 1m