

beyma



S-18WRS

SINGLE 18WRS600 DIRECT
RADIATION VENTED SUBWOOFER



TECHNICAL SPECIFICATIONS

Frequency response (± 3 dB)	46 Hz - 200 Hz
Usable bandwidth (-10 dB)	36 Hz - 2 kHz
Maximum SPL (*)	130.5 dB
Sensitivity 1W@1m	97 dB
Transducer:	18WRS600
AES power handling:	600 W
Nominal impedance:	8 Ω
Connectors:	2 x NL4
Box Dimensions:(**)	682 x 536 x 800 (Birch Plywood 18mm)
<p><small>(*) Peak level at 1 m under free field conditions using pink noise with 2 crest factor (6 dB). (**) All dimensions in this files are in millimeters.</small></p>	

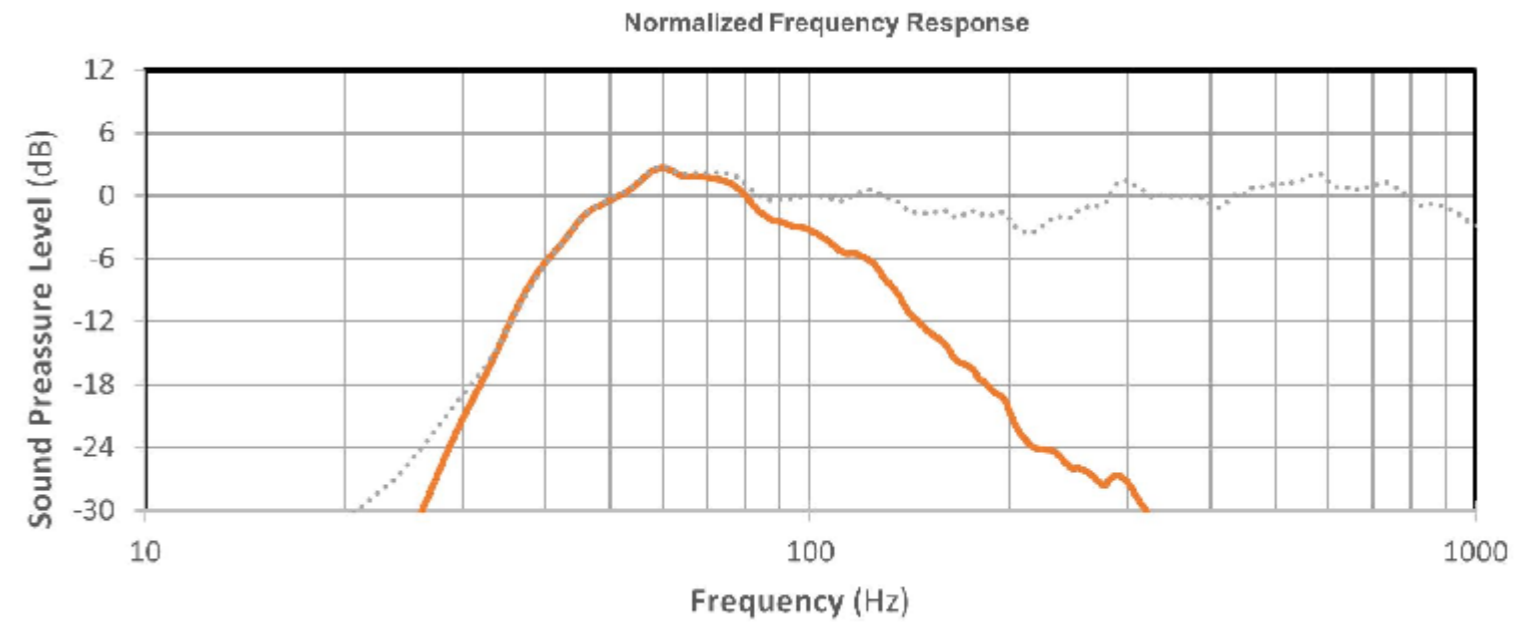


PRESETS

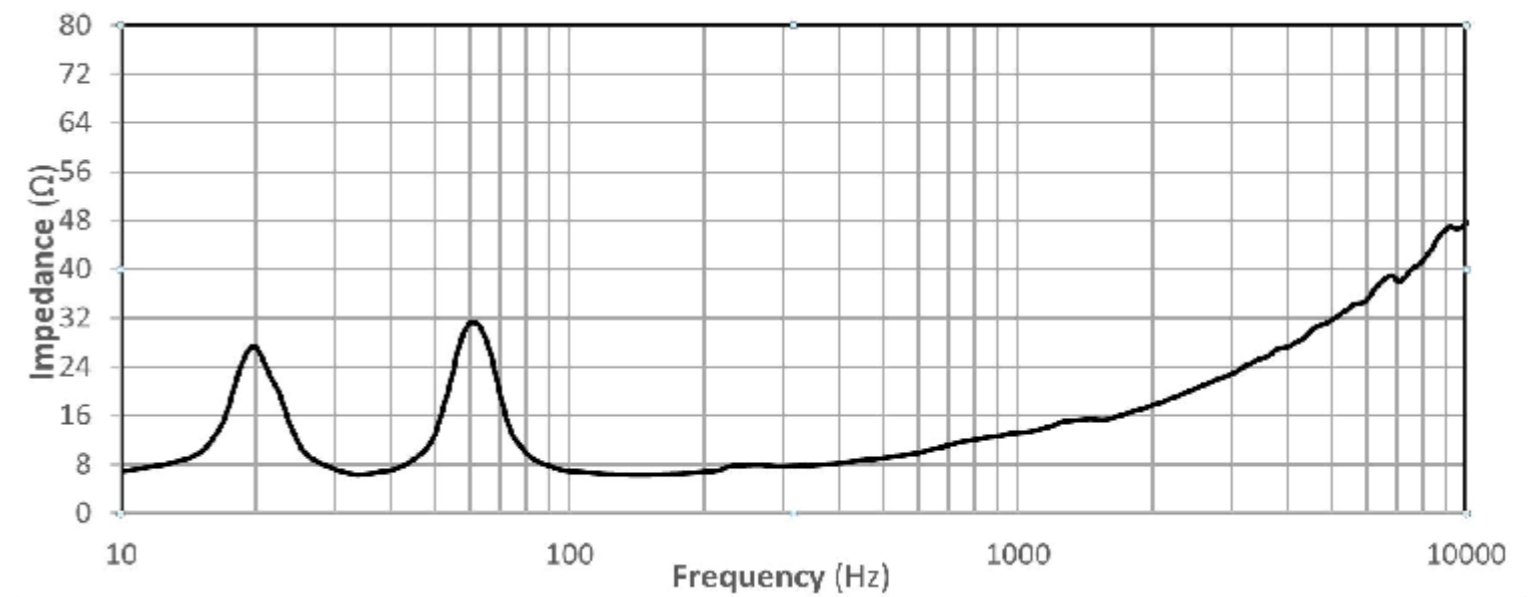
S-18WRS	f (Hz)	Shape	Order
HPF	30	BW	48 dB/octv
LPF	100	BW	18 dB/octv
EQ	f (Hz)	Q	Gain
1	45	5	2
2	93	5	+1.5
3	297	3	-3
LIMITER (*)	Threshold	Attack	Release
	7 dBu	32 ms	360 ms

**for 32 dB Gain amplifier*

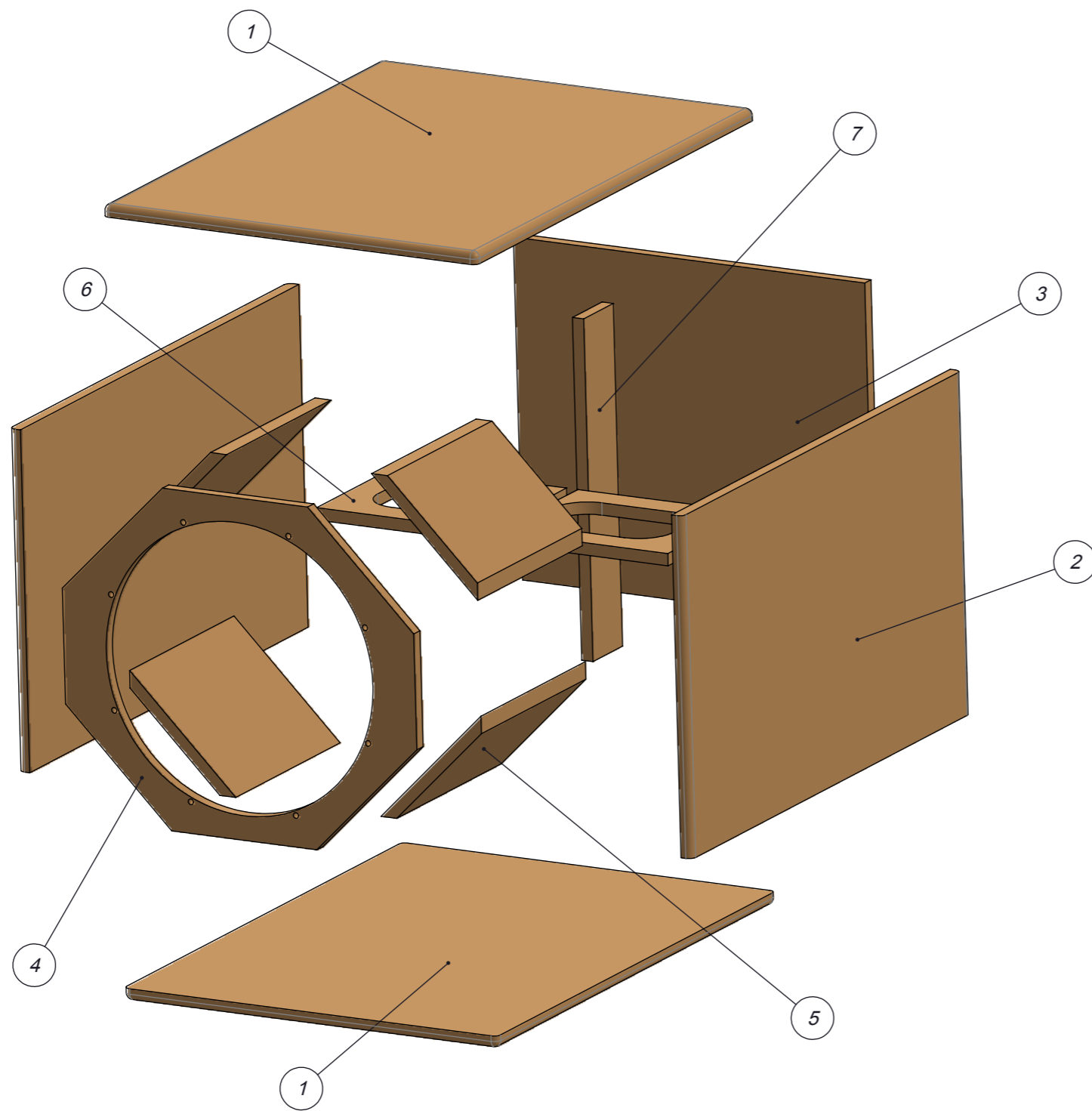
FREQUENCY RESPONSE



IMPEDANCE



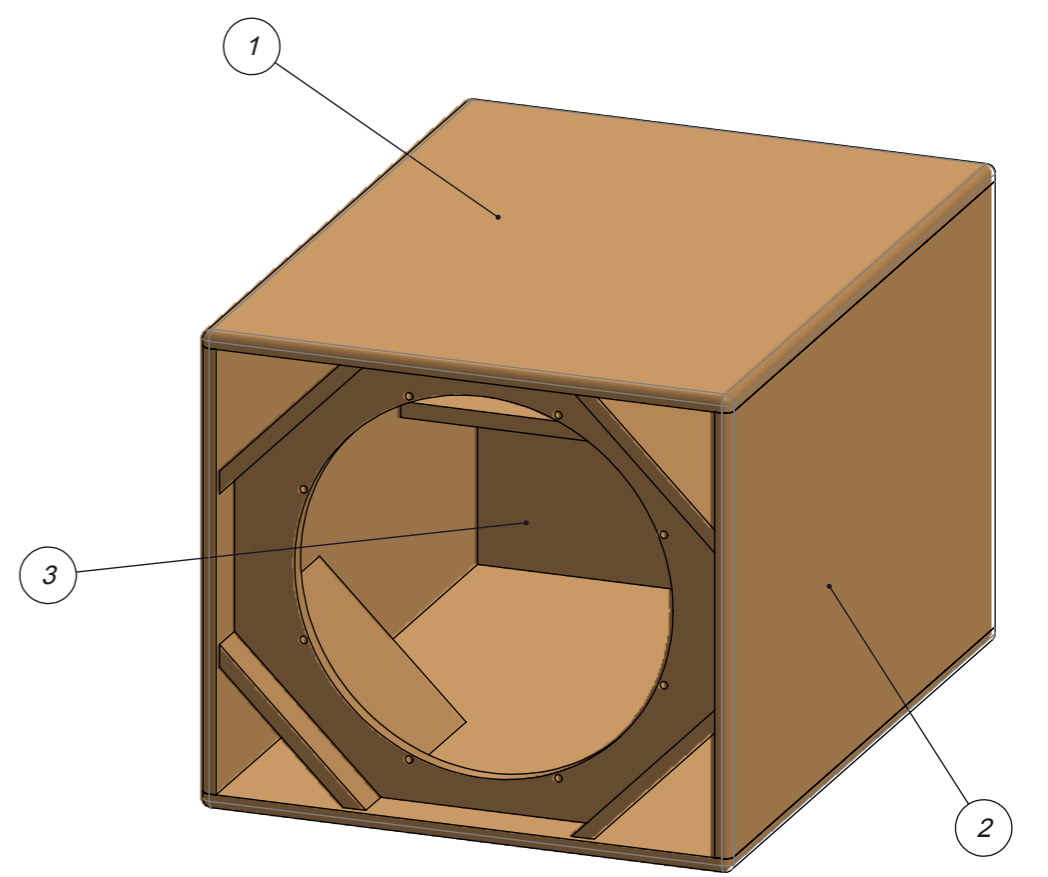
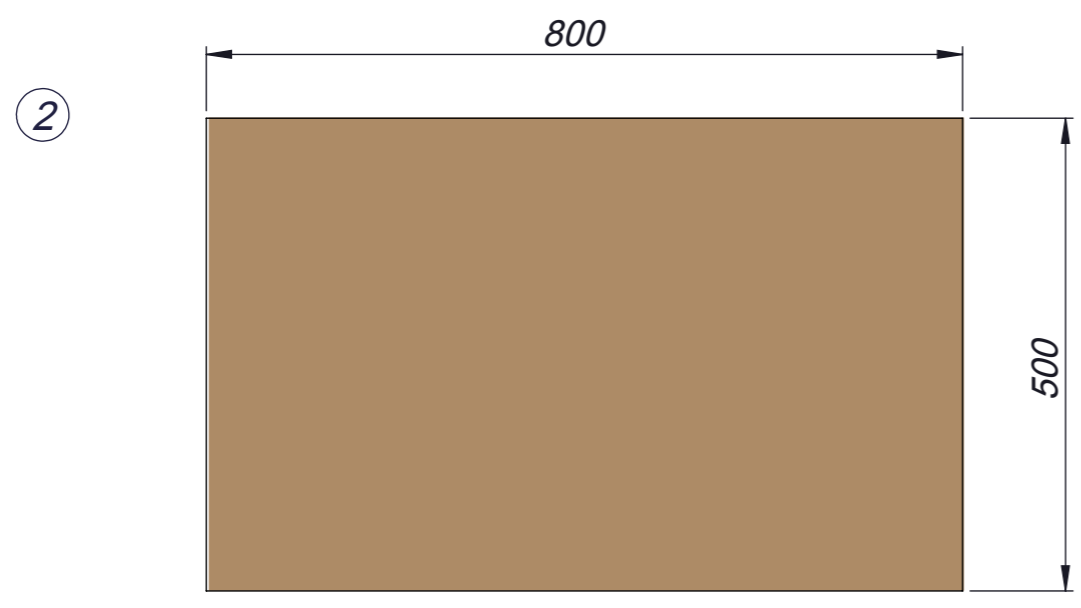
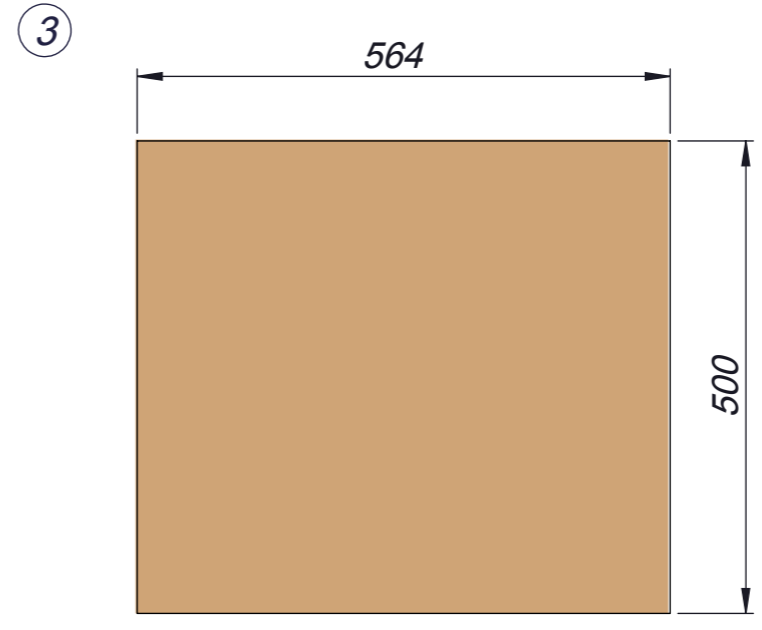
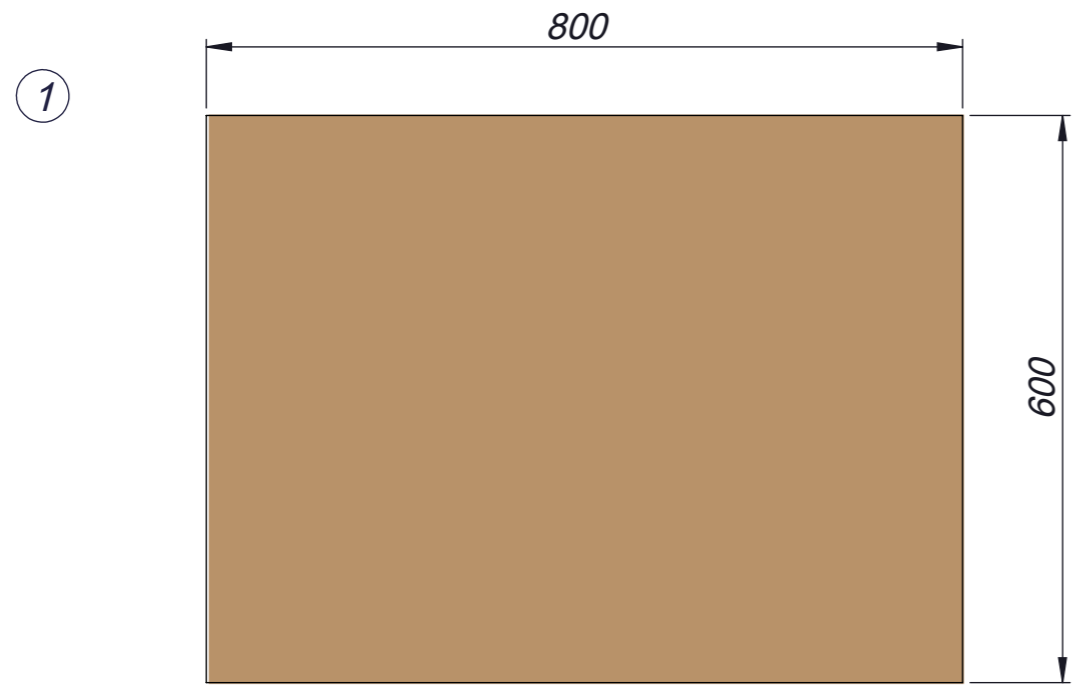
EXPLODED VIEW



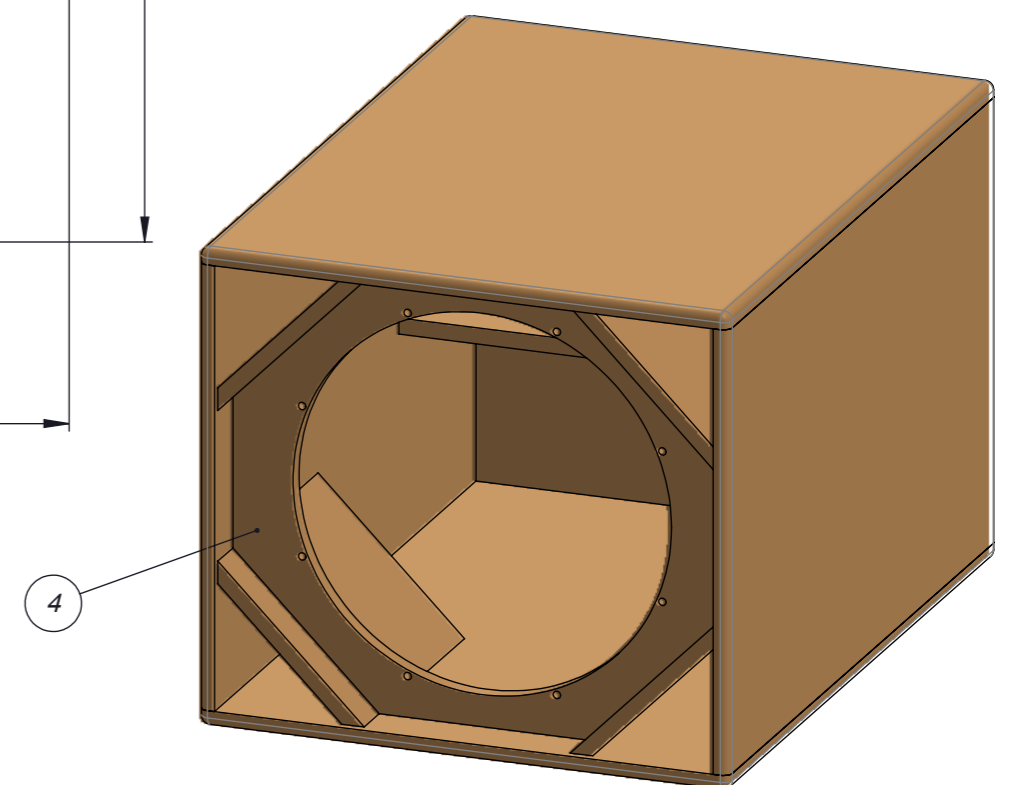
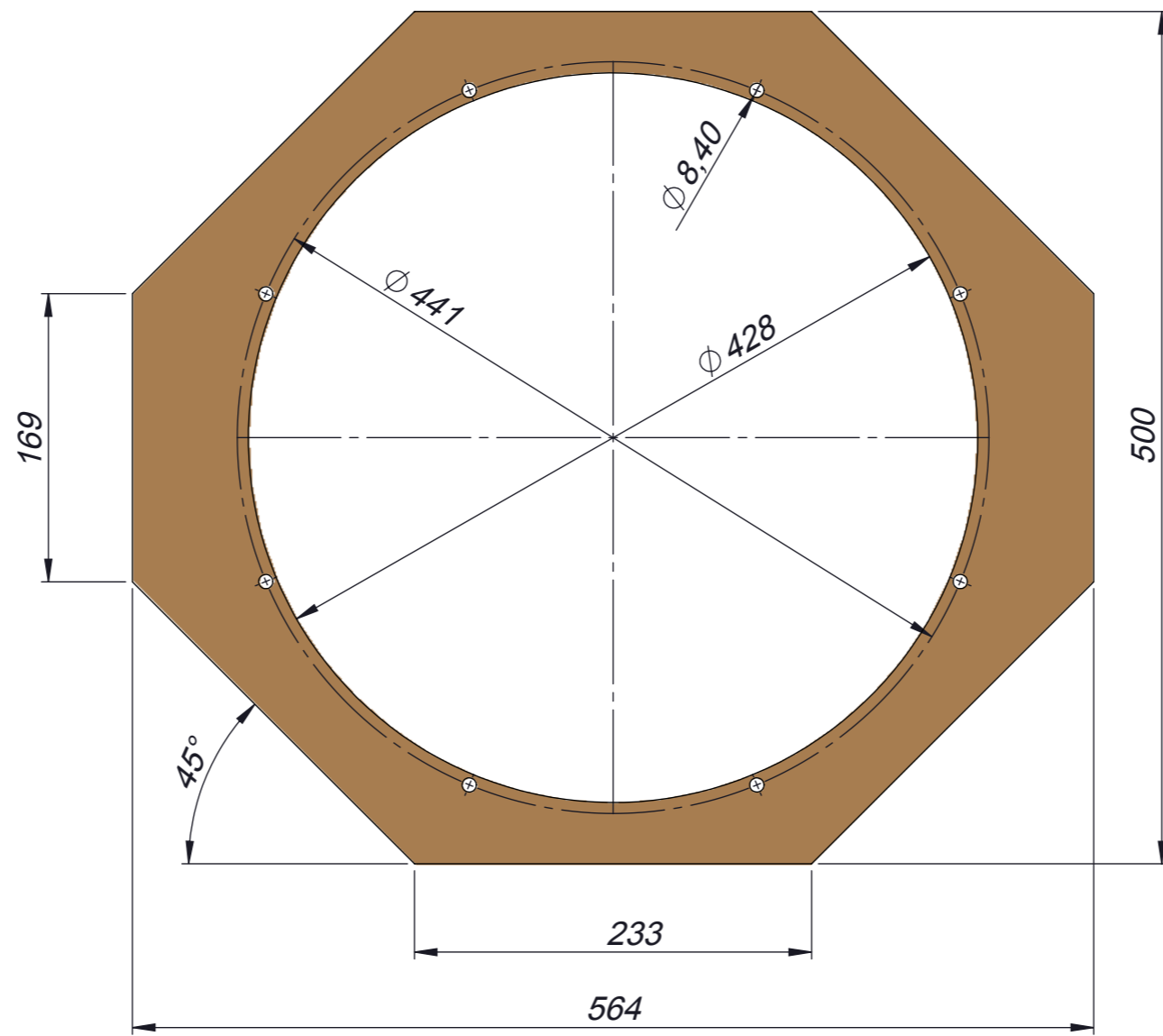
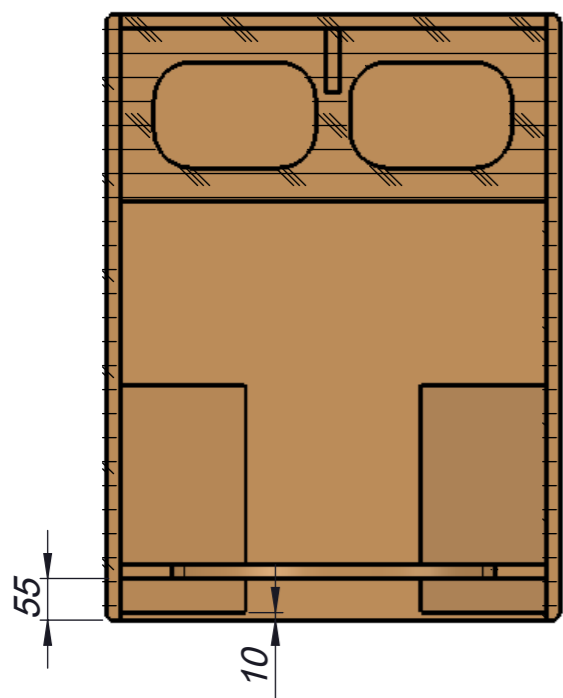
PARTS LIST

ITEM NO.	PARTS DIMENSIONS	QTY.
1	800 x 600 x 18	2
2	800 x 500 x 18	2
3	564 x 500 x 18	1
4	564 x 500 x 18	1
5	300 x 234 x 18	4
6	564 x 300 x 18	1
7	500 x 85 x 18	1

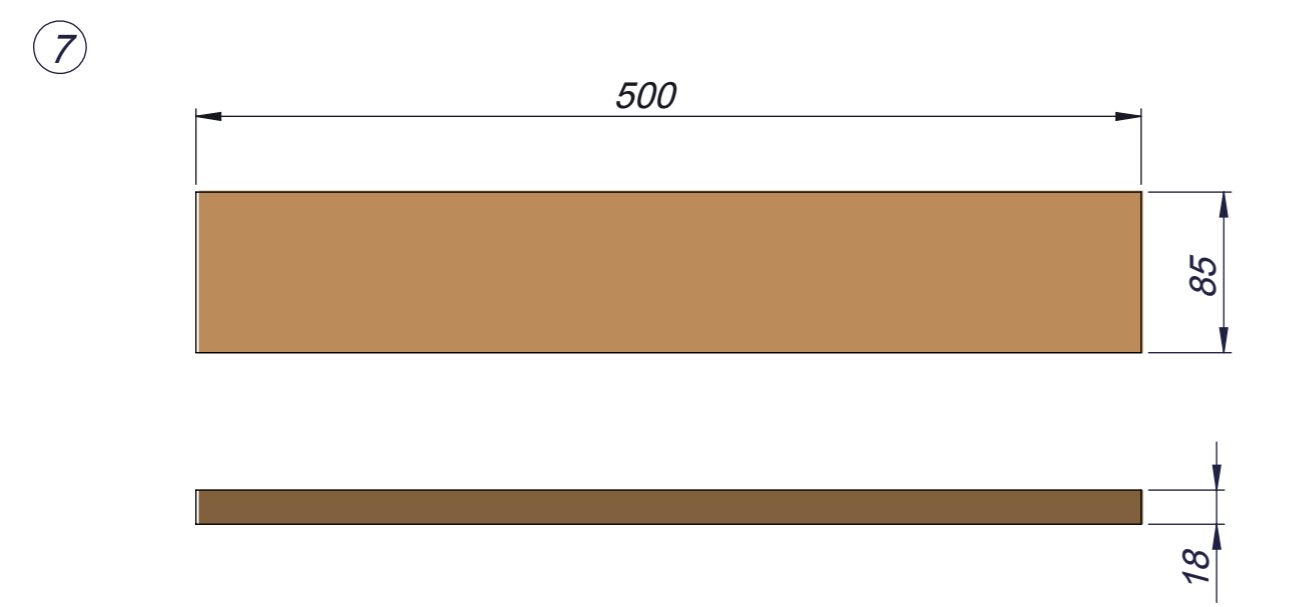
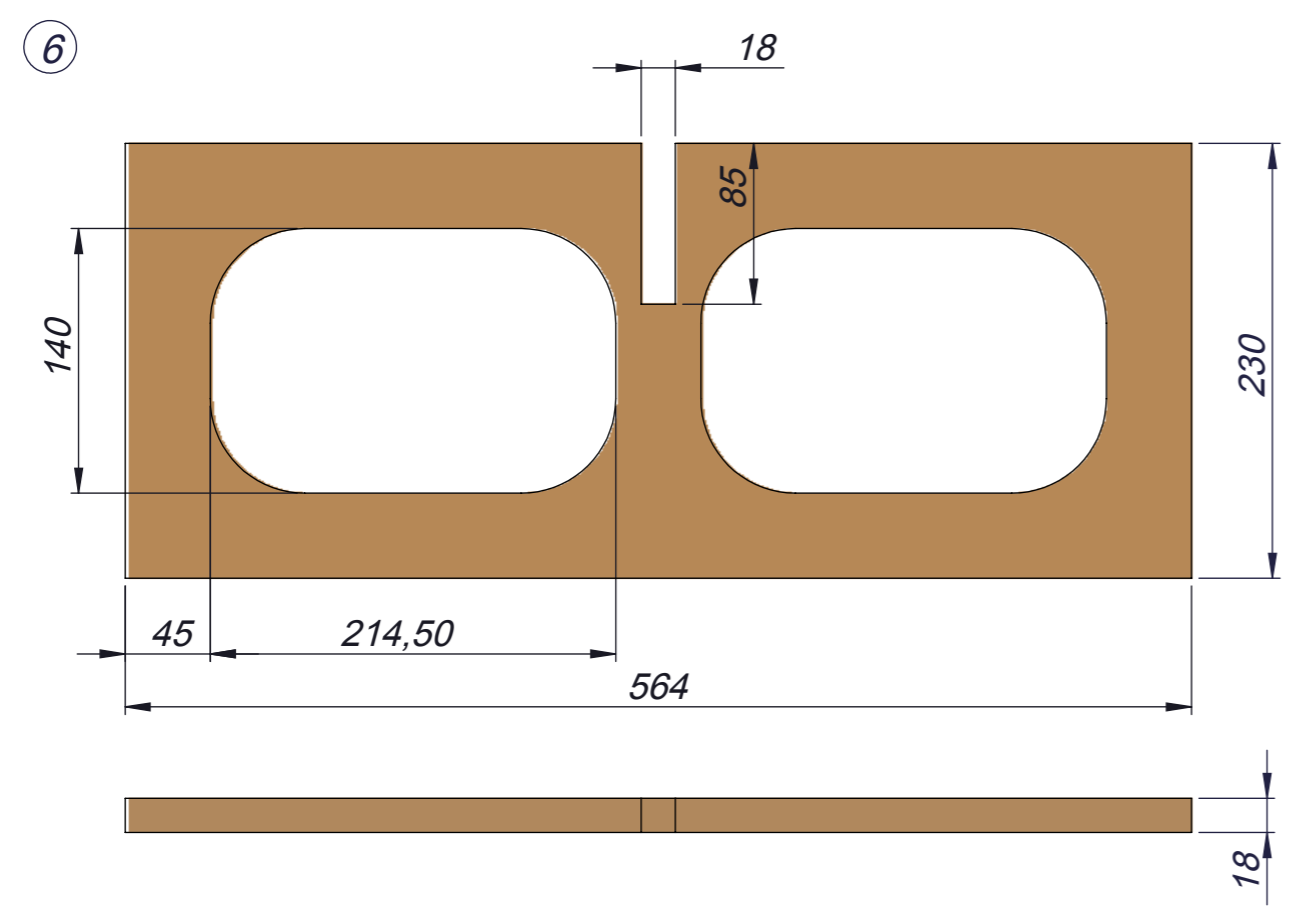
SIDES



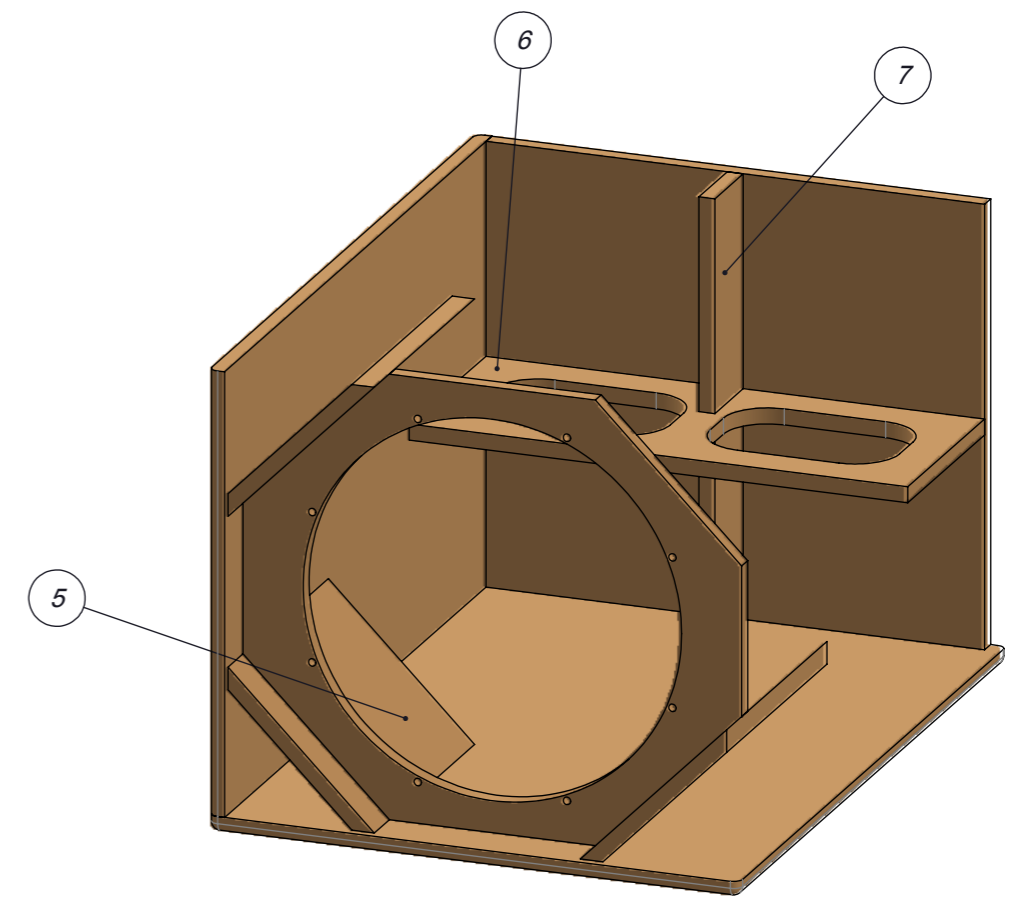
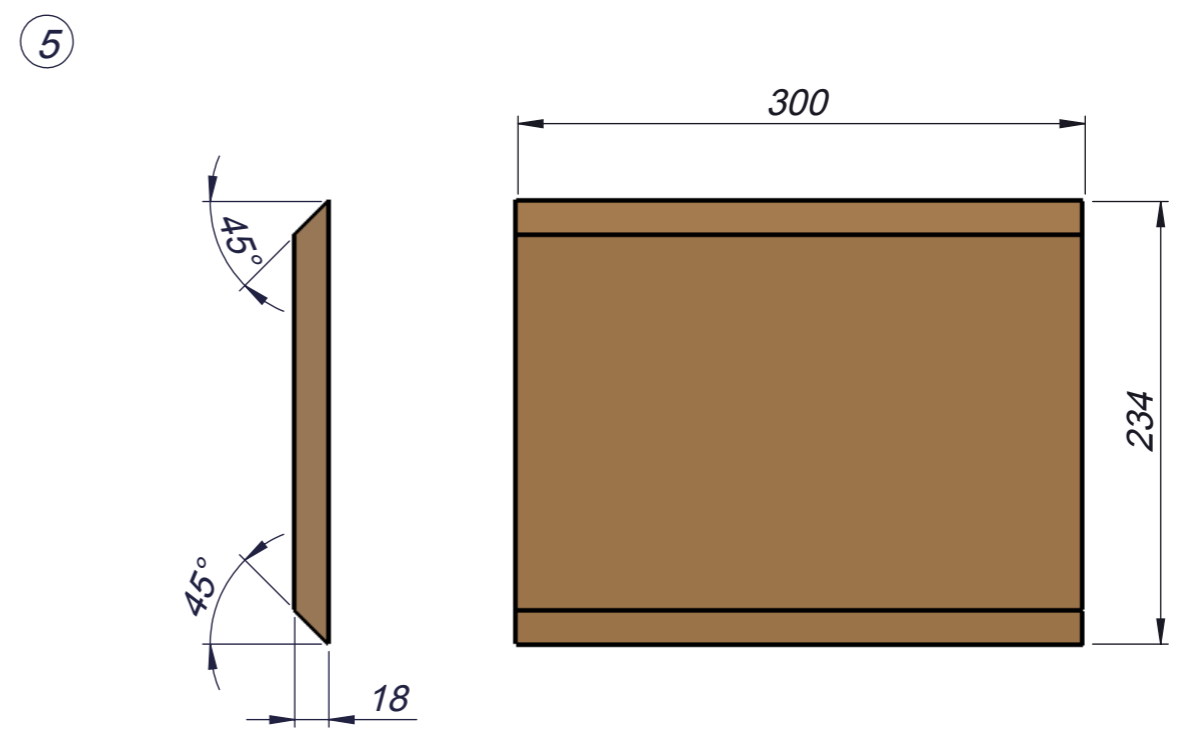
FRONT PANEL



INNER REINFORCEMENT



VENT



beyma **S-SERIES**

DIRECT RADIATION VENTED SUBWOOFERS

