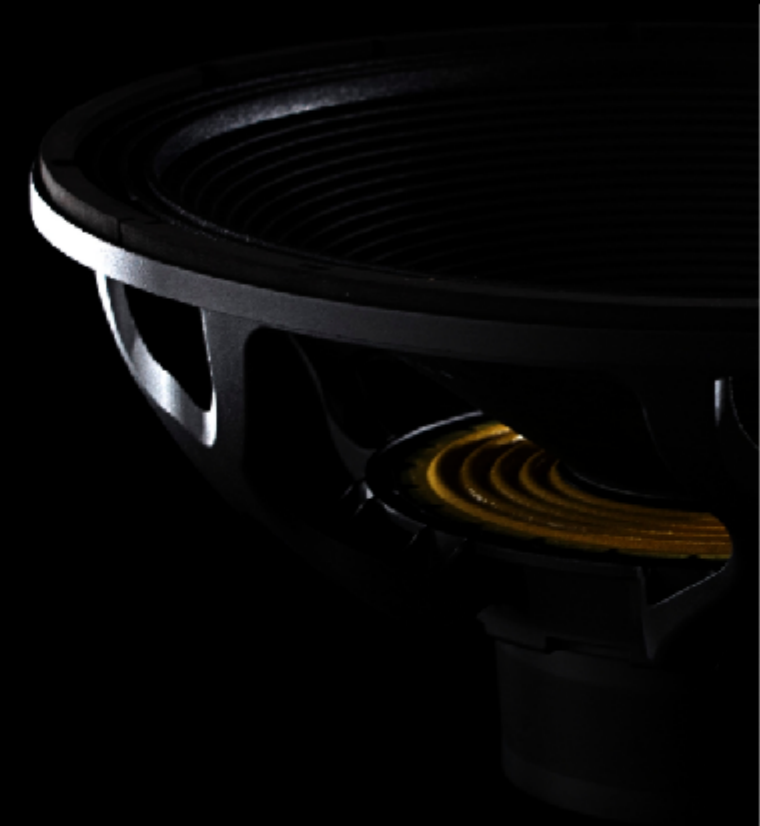


**beyma**  **FR-8CM**

**FULL RANGE 2 WAY SYSTEM 8"**  
**8CMV2 - CD1Fe - TD-8060**



**TECHNICAL SPECIFICATIONS**

<b>Frequency response (<math>\pm 3</math> dB)</b>	68 Hz - 20 kHz
<b>Usable bandwidth (-10 dB)</b>	51 Hz - 20 kHz
<b>Maximum SPL (*)</b>	124 dB
<b>Sensitivity 1W@1m</b>	94 dB
<b>HxV Coverage angle (-6 dB)</b>	80°x60°
<b>Transducers LF:</b>	<b>8CMV2</b>
<b>Transducers HF:</b>	<b>CD1Fe</b> coupled to <b>TD-8060</b>
<b>AES power handling:</b>	250 W
<b>Nominal impedance:</b>	8 $\Omega$
<b>Connectors:</b>	2 x NL4
<b>Box Dimensions (**):</b>	271 x 288 x 450 (Birch Plywood 12mm)
<p><small>(*) Peak level at 1 m under free field conditions using pink noise with 2 crest factor (6 dB).                  (**) All Dimensions in this files are in millimeters.</small></p>	

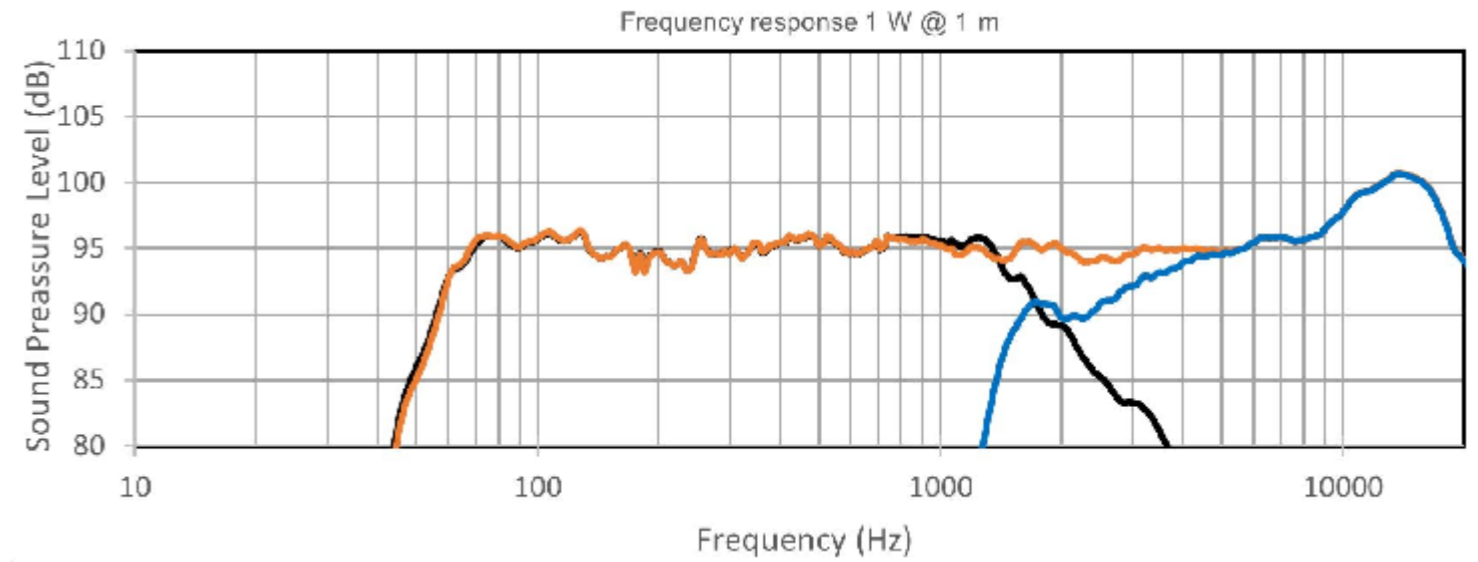


**PRESETS**

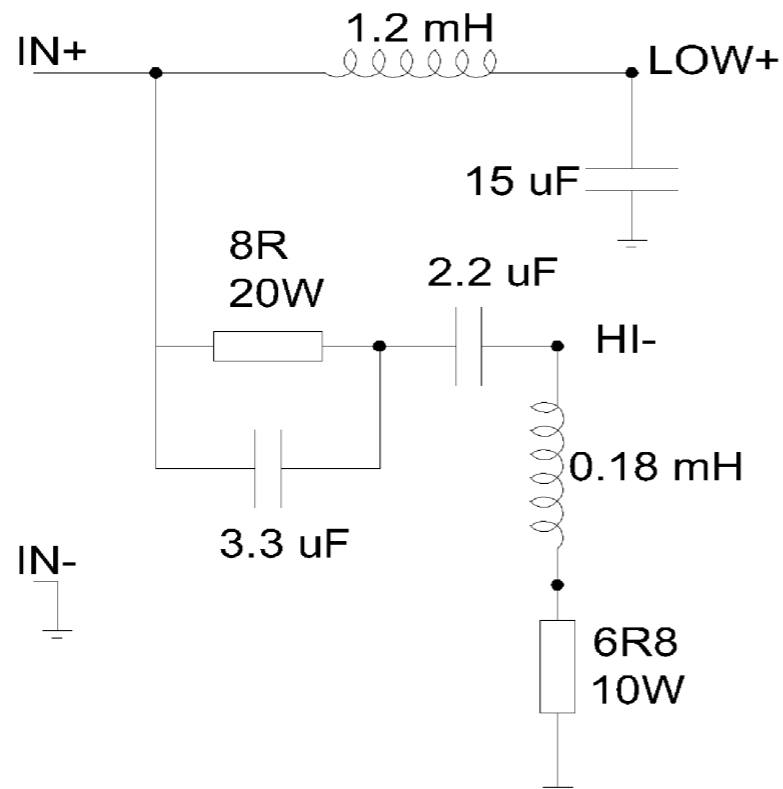
FR-8CM	f (Hz)	Q	Gain (dB)
1	110	0,75	+2,5
2	375	1,8	-3
3	630	5	+4
4	3560	2	-3
<b>LIMITER (*)</b>	<b>Threshold</b>	<b>Attack</b>	<b>Release</b>
	3 dBu	15 ms	155 ms

\*for 32 dB Gain amplifier

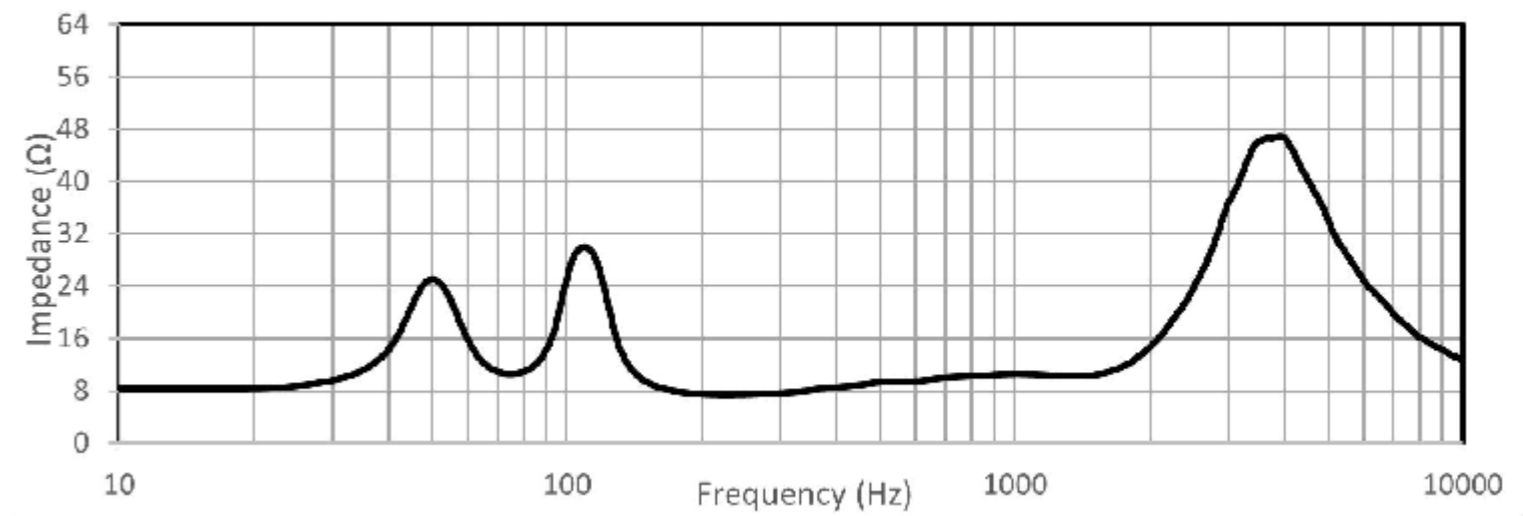
**FREQUENCY RESPONSE**



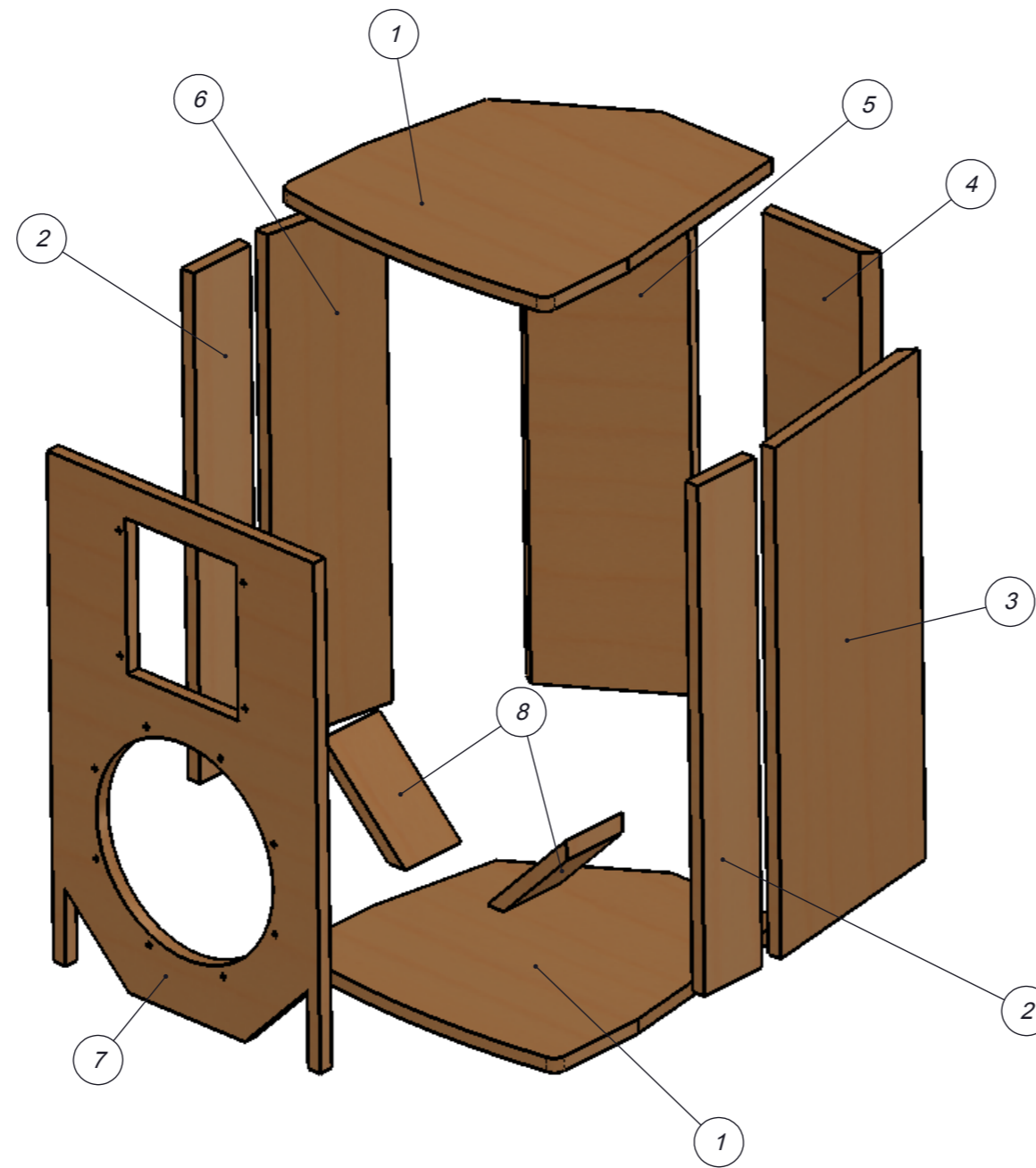
**PASSIVE CROSSOVER DESIGN**



**IMPEDANCE**



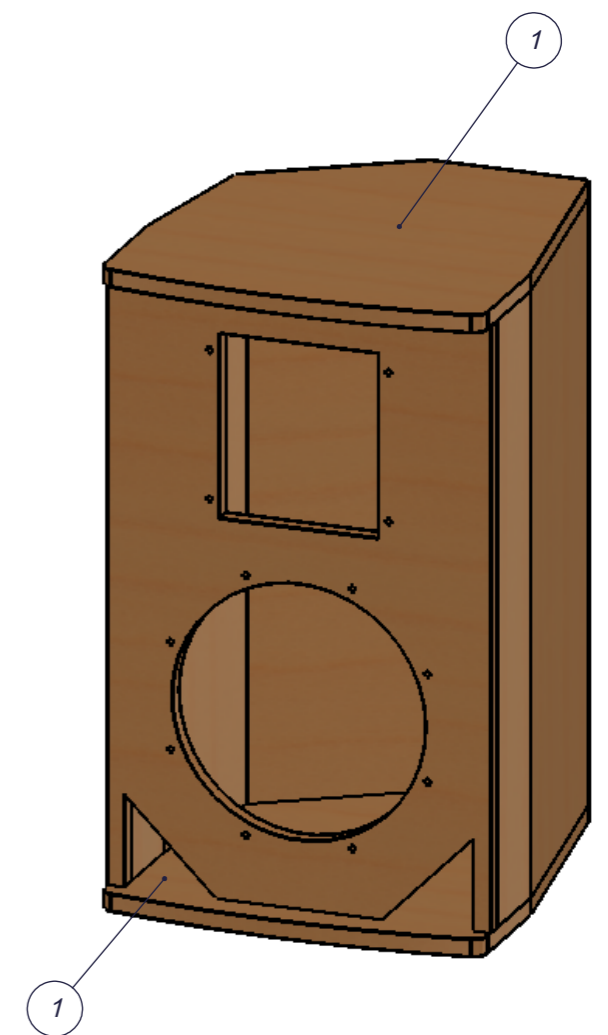
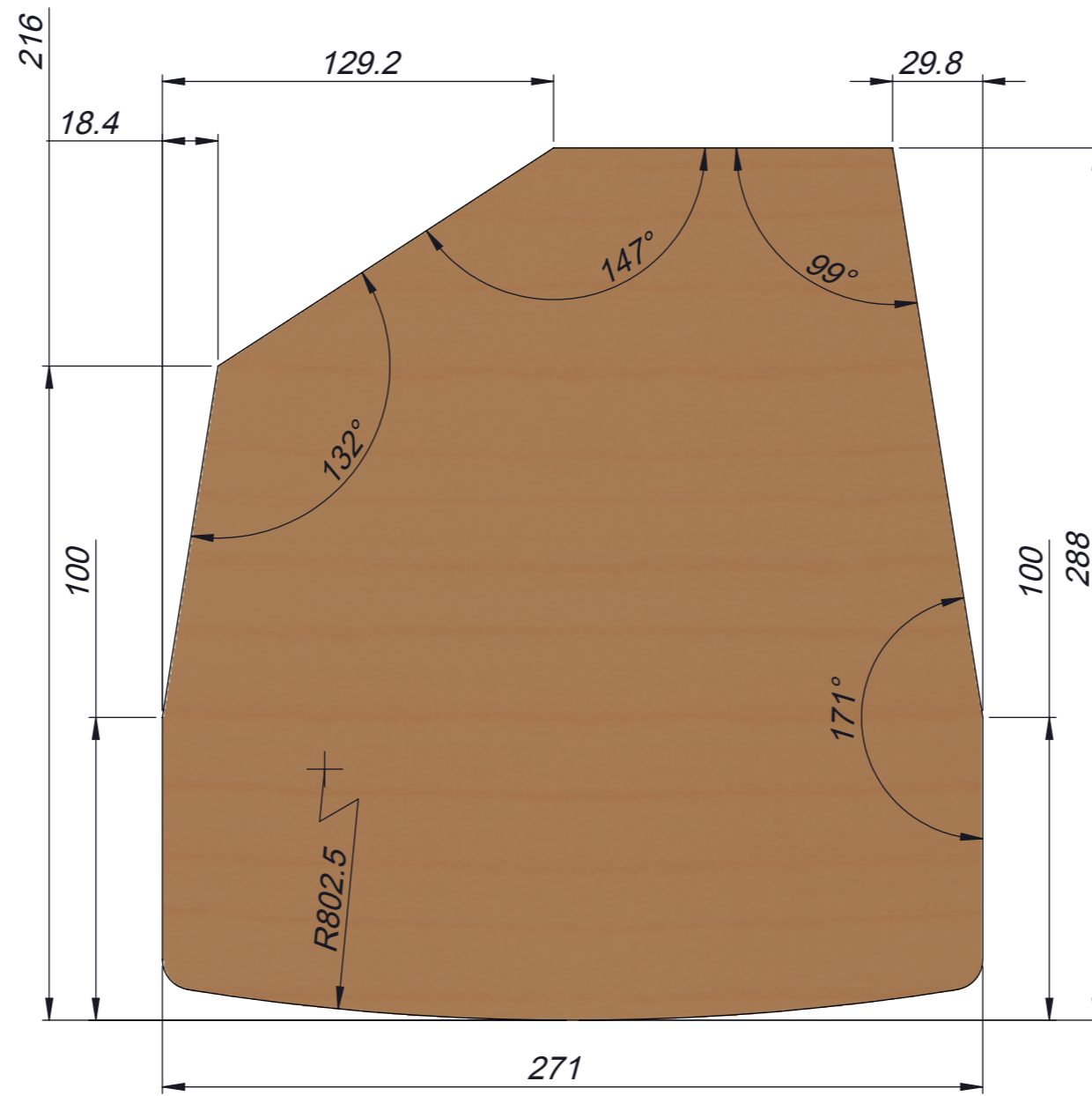
**EXPLODED VIEW**



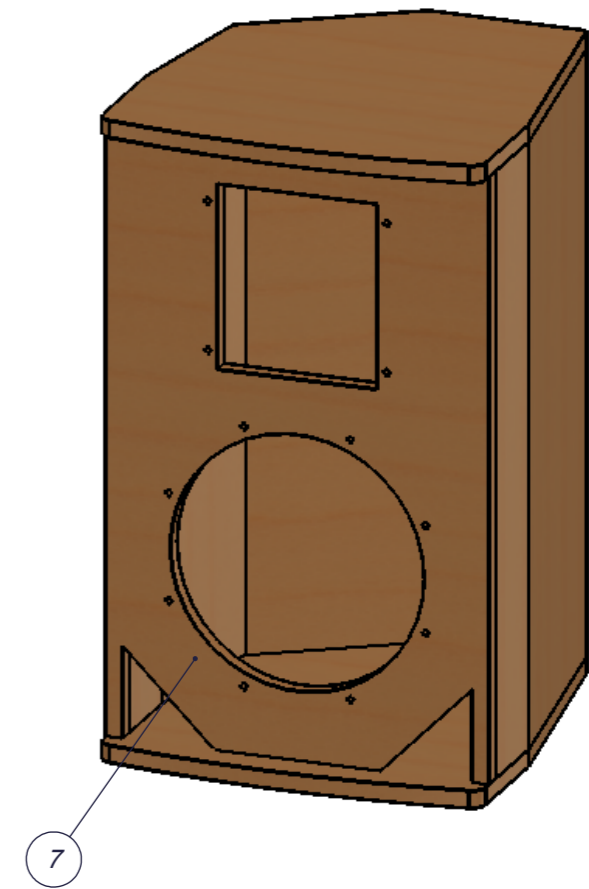
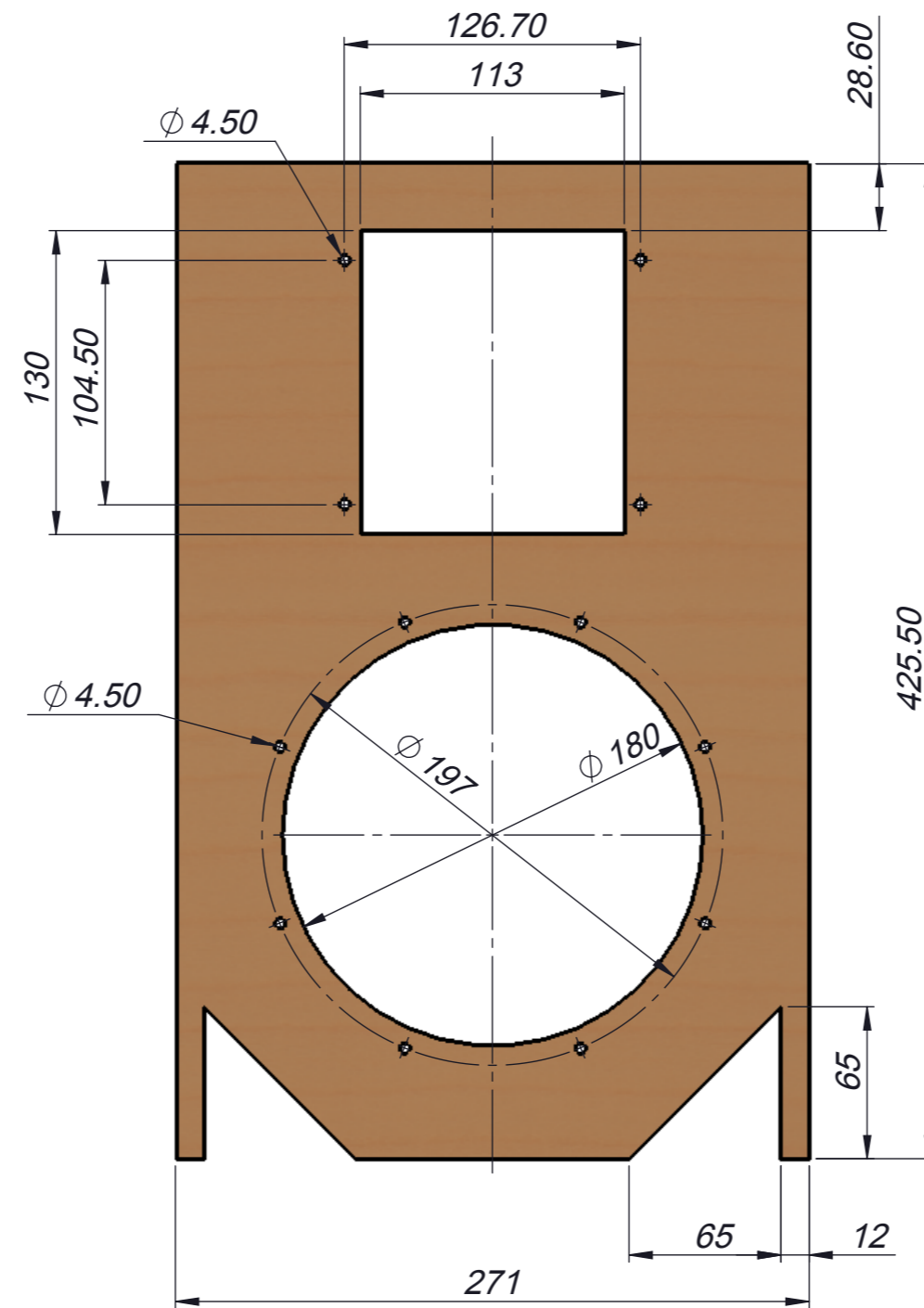
**PARTS LIST**

ITEM NO.	PART DIMENSIONS	QTY.
1	271 x 288 x 12	2
2	62 x 425.5 x 12	2
3	190.3 x 425.5 x 12	1
4	112 x 425.5 x 12	1
5	132.2 x 425.5 x 12	1
6	117.5 x 425.5 x 12	1
7	271 x 425.5 x 12	1
8	116 x 60.5 x 12	2

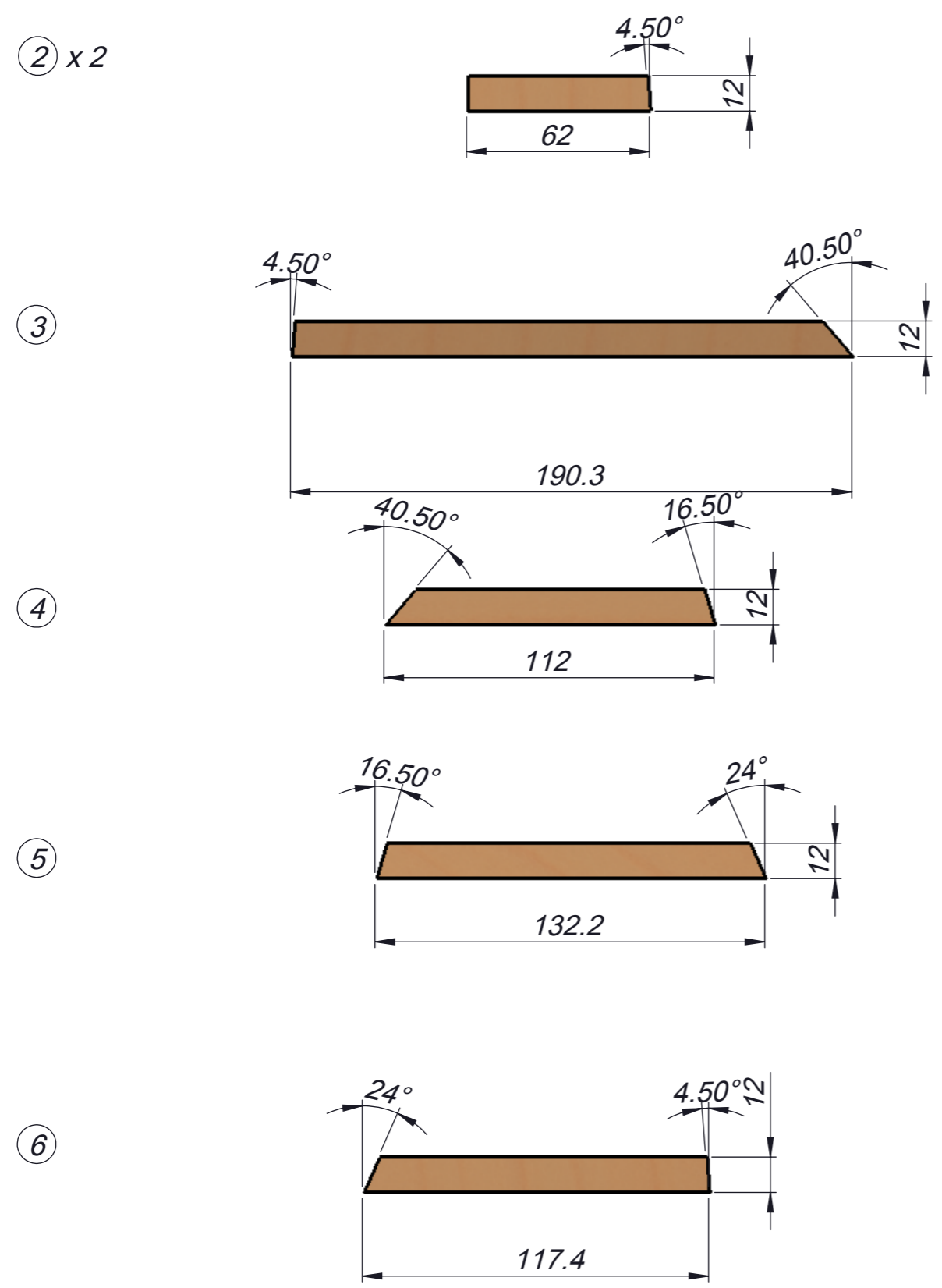
TOP AND BOTTOM PARTS



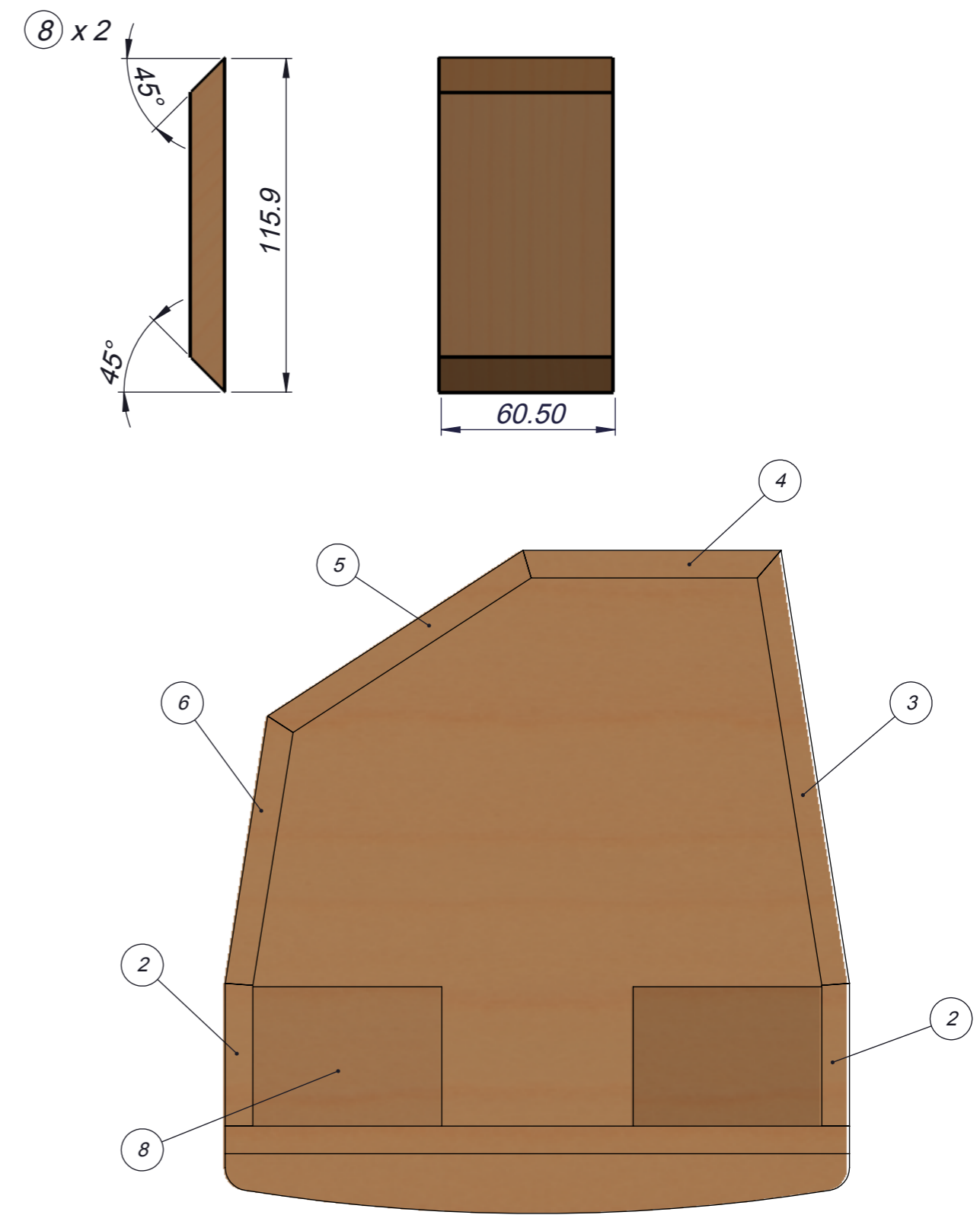
FRONT PANEL



**SIDES**



**VENT**



**beyma**  **FR-CM**

**FULL RANGE 2 WAY SYSTEM SERIES**

