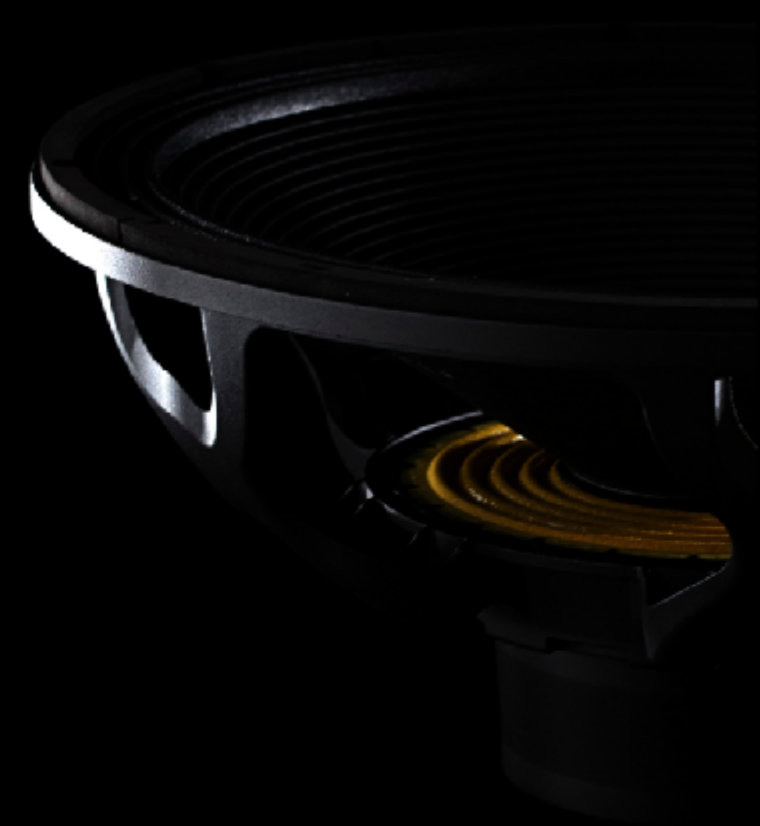


beyma **FR-10WR**

FULL RANGE 2 WAY SYSTEM 10"

10WR300 - CD11Fe - TD-194



TECHNICAL SPECIFICATIONS

<i>Frequency response (±3 dB)</i>	72 Hz - 20 kHz
<i>Usable bandwidth (-10 dB)</i>	50 Hz - 20 kHz
<i>Maximum SPL (*)</i>	126 dB
<i>Sensitivity 1W@1m</i>	95 dB
<i>HxV Coverage angle (-6 dB)</i>	90°x40° Rotatable
<i>Transducer LF:</i>	10WR300
<i>Transducer HF:</i>	CD11Fe coupled to TD-194
<i>AES power handling:</i>	300 W
<i>Nominal impedance:</i>	8 Ω
<i>Connectors:</i>	2 x NL4
<i>Box Dimensions: (**)</i>	301 x 538 x 307 (Birch Plywood 15mm)

(*) Peak level at 1 m under free field conditions using pink noise with 2 crest factor (6 dB).
(**) All dimensions in this files are in millimeters.

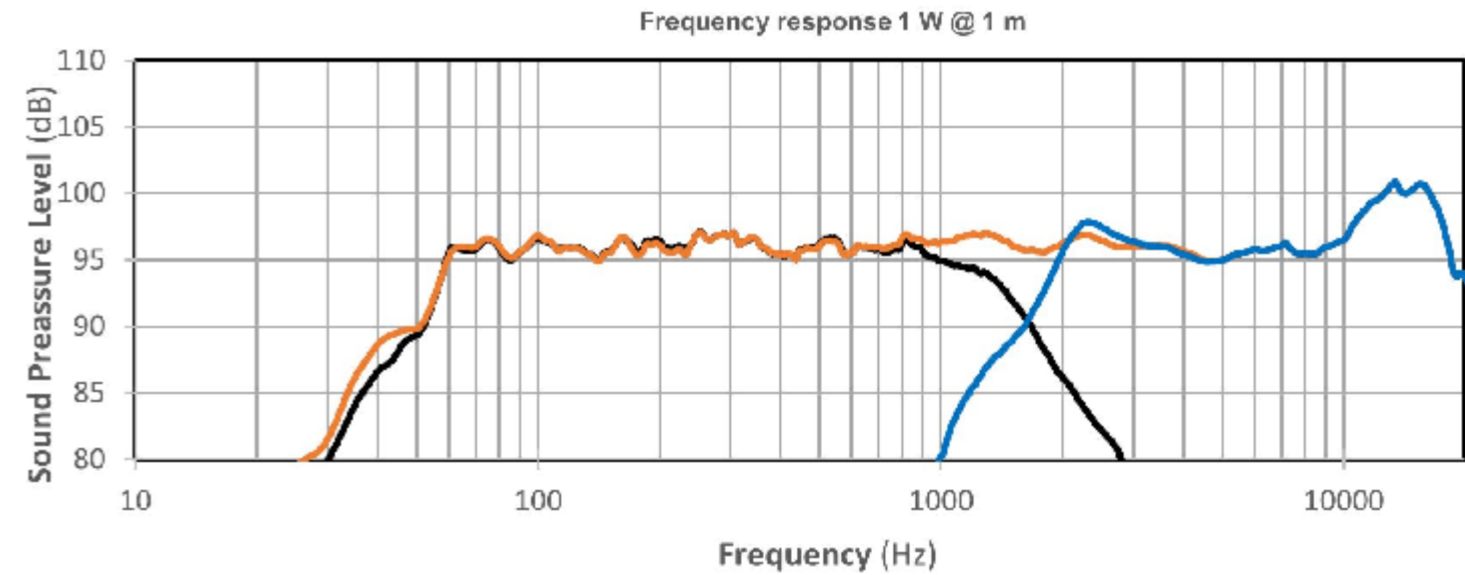


PRESETS

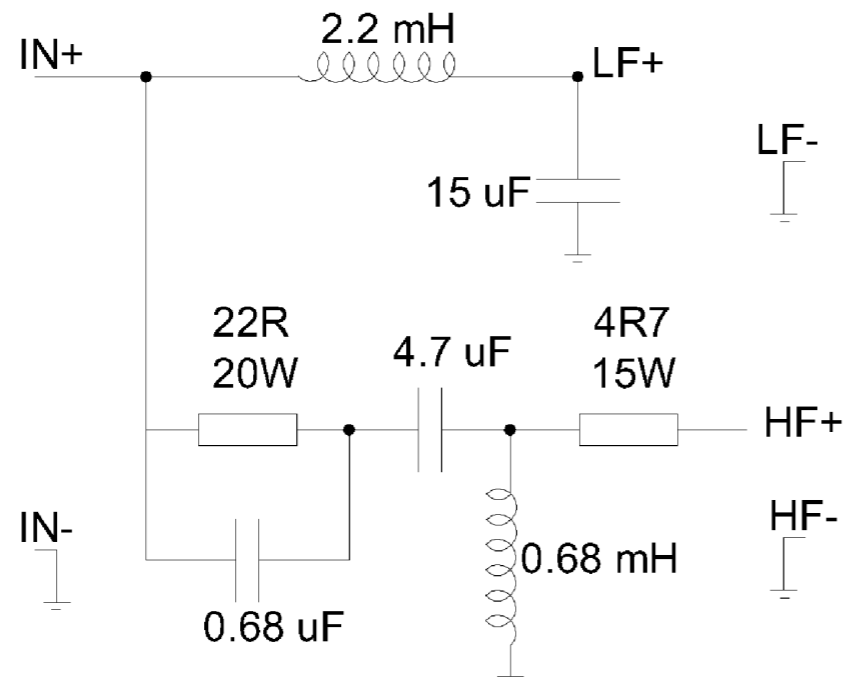
FR-10WR	f (Hz)	Q	Gain (dB)
1	96	1,2	3,5
2	250	3	-2,5
3	1260	4,4	-2
4	1730	5,7	2
LIMITER (*)	Threshold	Attack	Release
	4 dBu	14 ms	152 ms

**for 32 dB Gain amplifier*

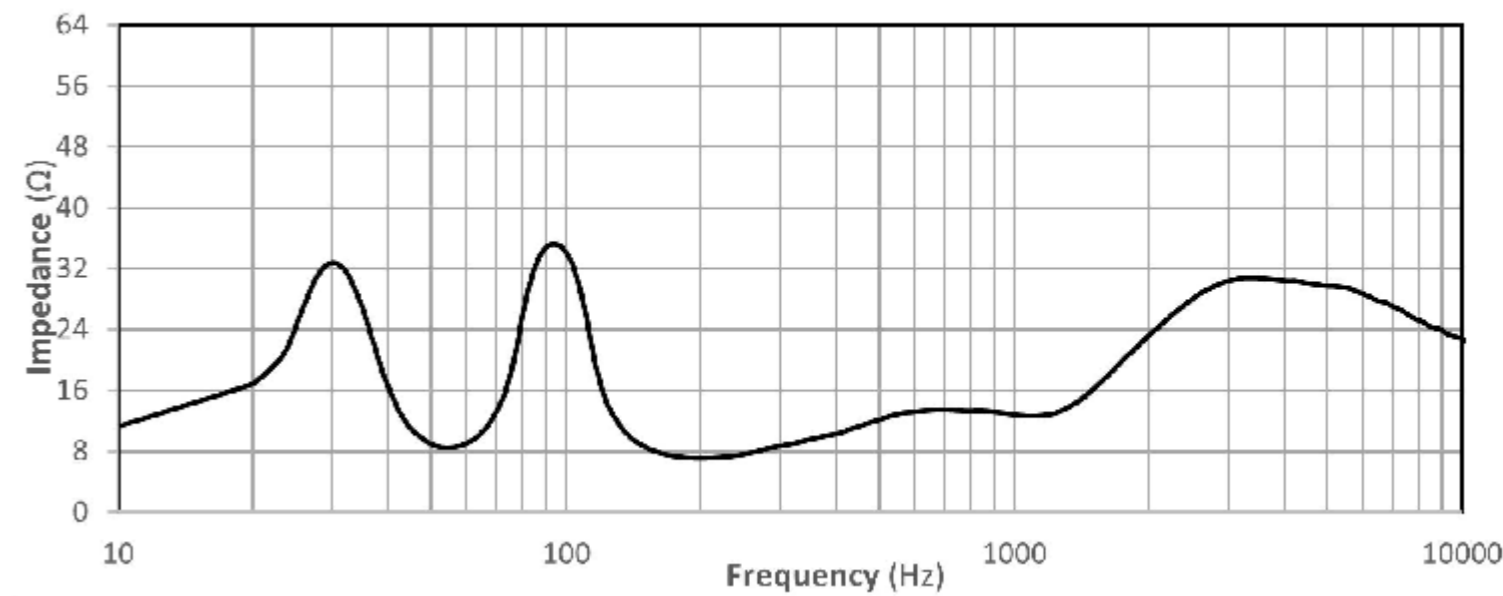
FREQUENCY RESPONSE



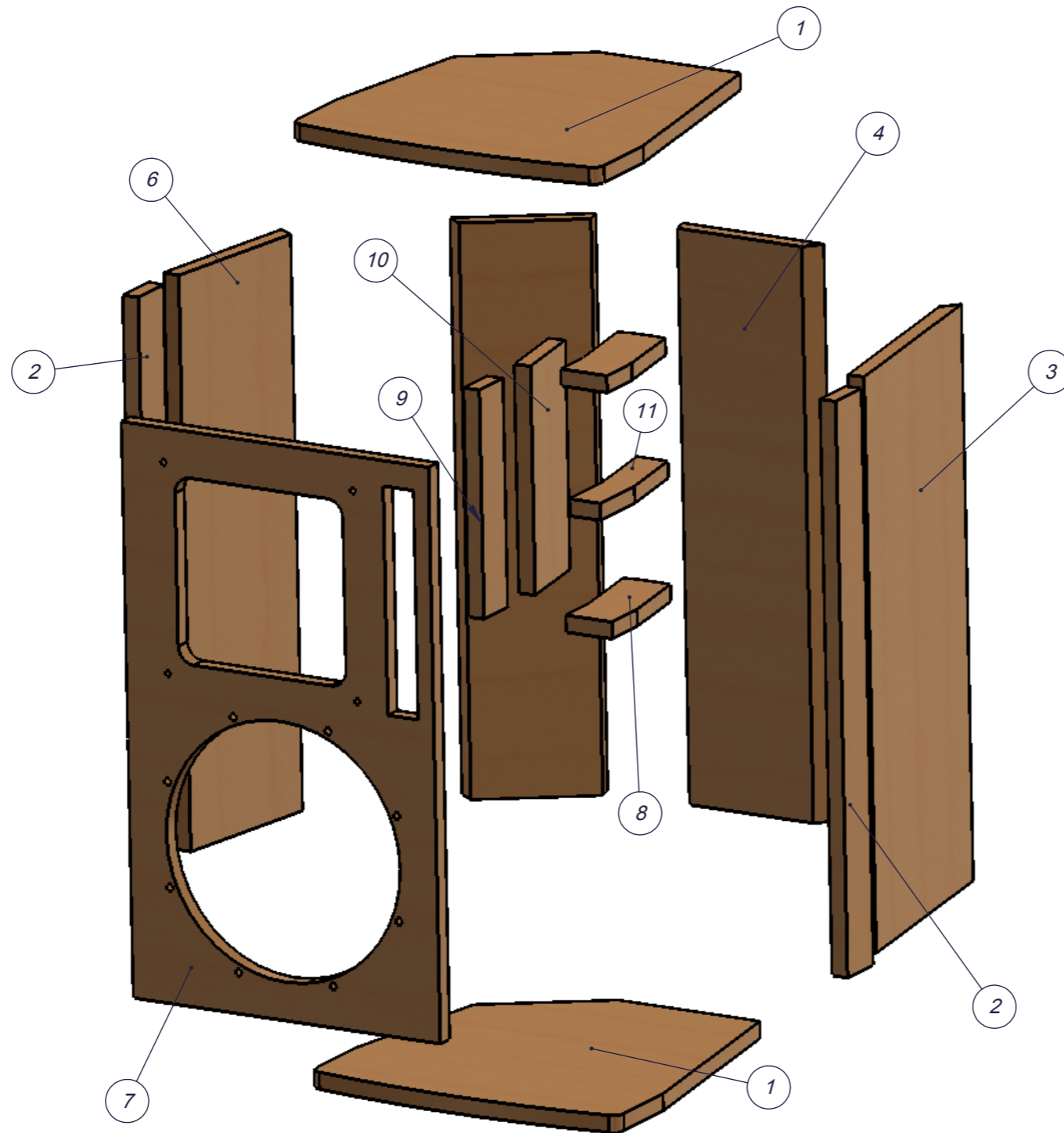
PASSIVE CROSSOVER DESIGN



IMPEDANCE



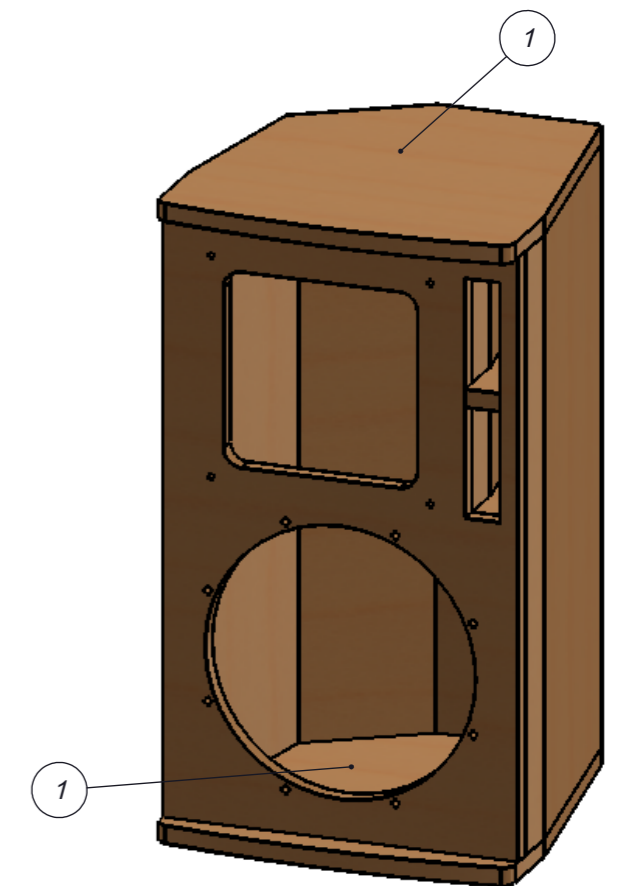
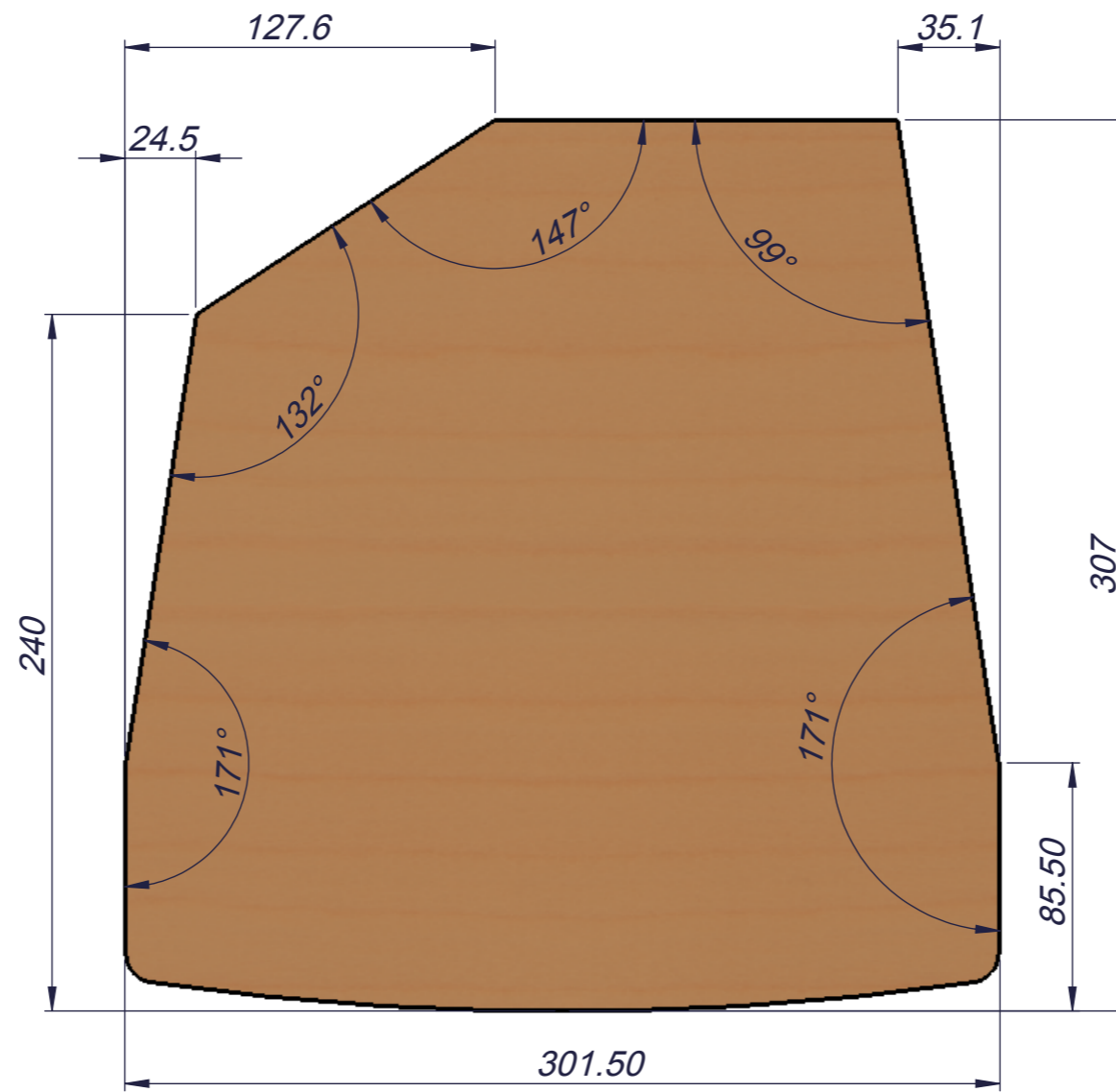
EXPLODED VIEW



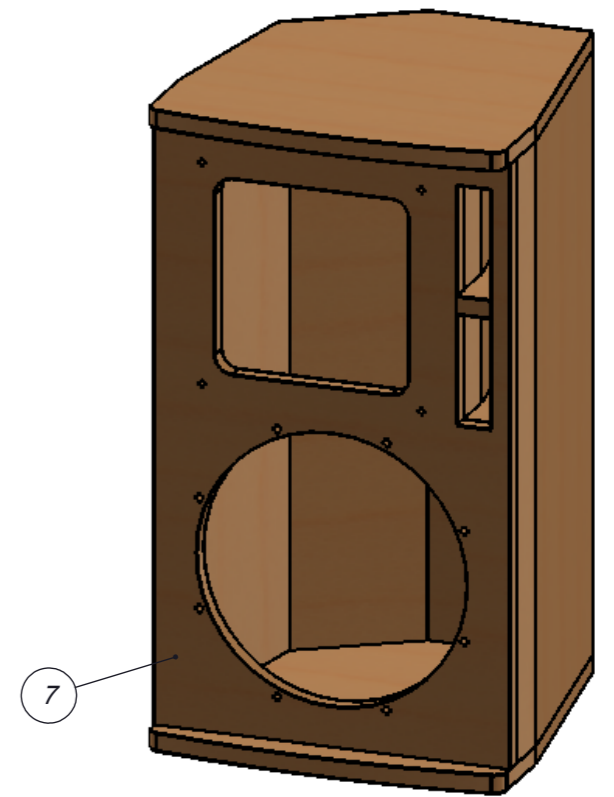
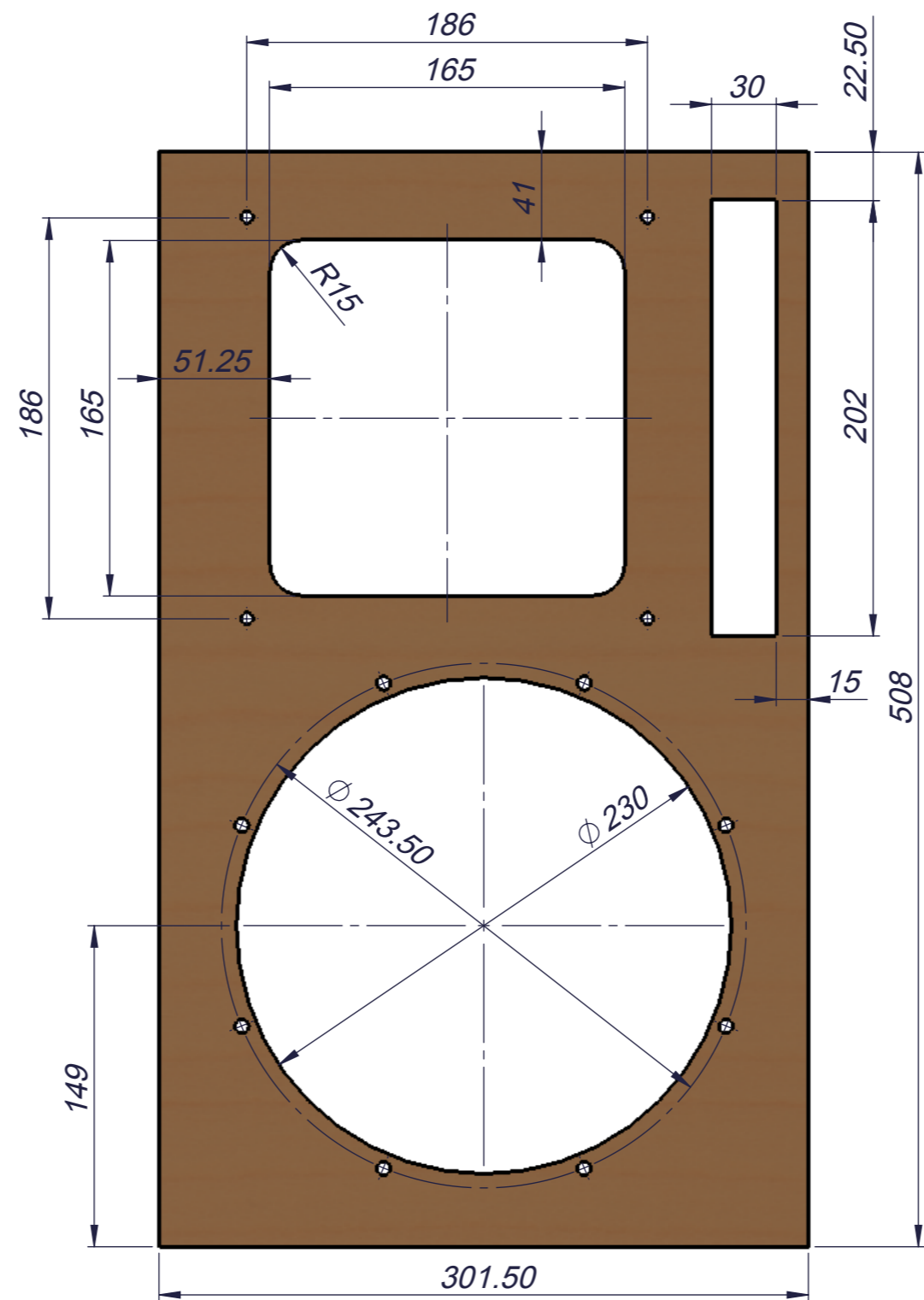
PARTS LIST

ITEM N°.	PARTS DIMENSIONS	QTY.
1	271 x 288 x 15	2
2	42.5 x 508 x 15	2
3	224.3 x 508 x 15	1
4	138.8 x 508 x 15	1
5	123 x 508 x 15	1
6	156.5 x 508 x 15	1
7	57.5 x 118 x 15	1
8	57.5 x 118 x 15	2
9	42.52 x 133 x 15	1
10	39 x 202 x 15	1
11	80 x 202 x 15	1

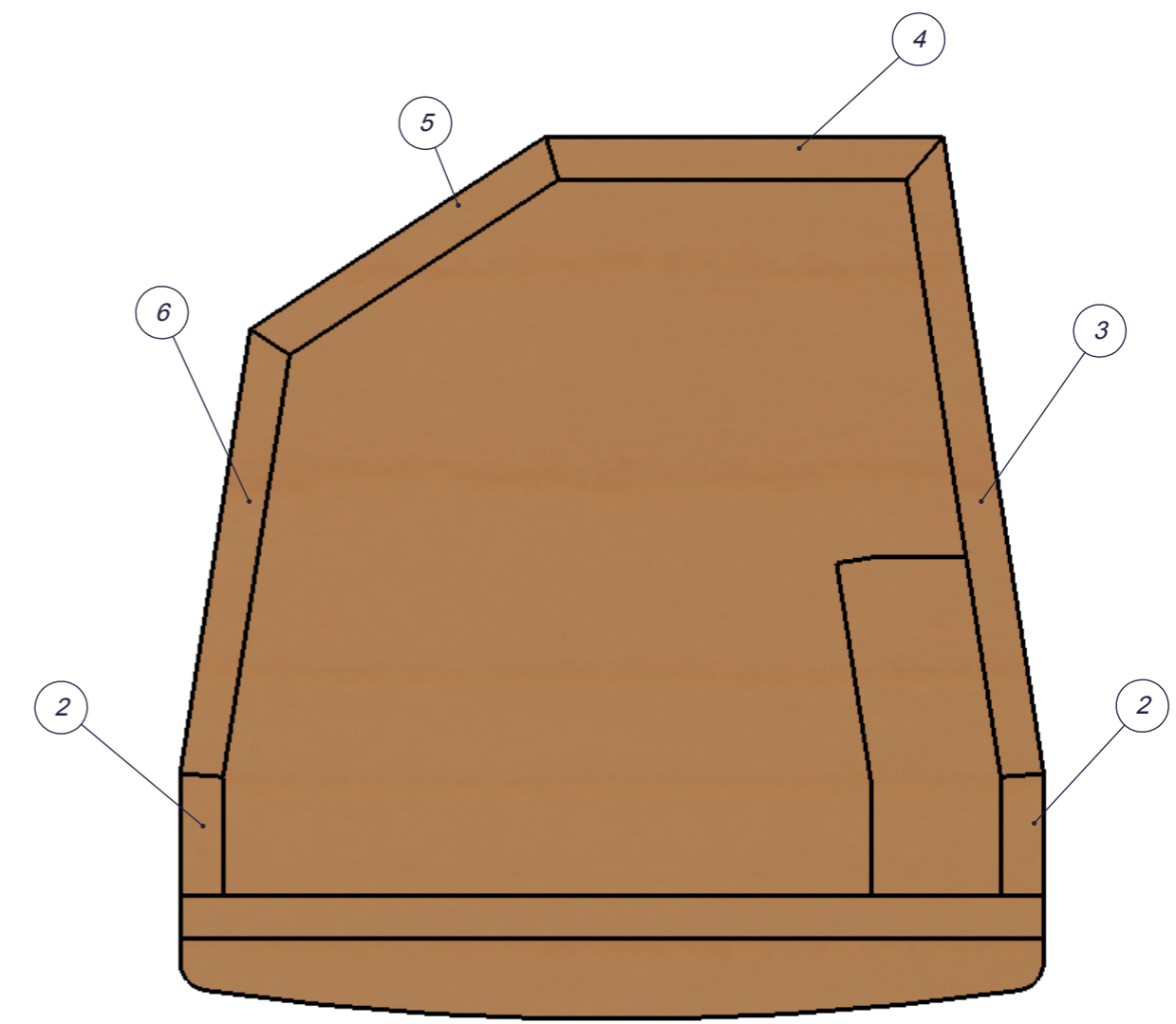
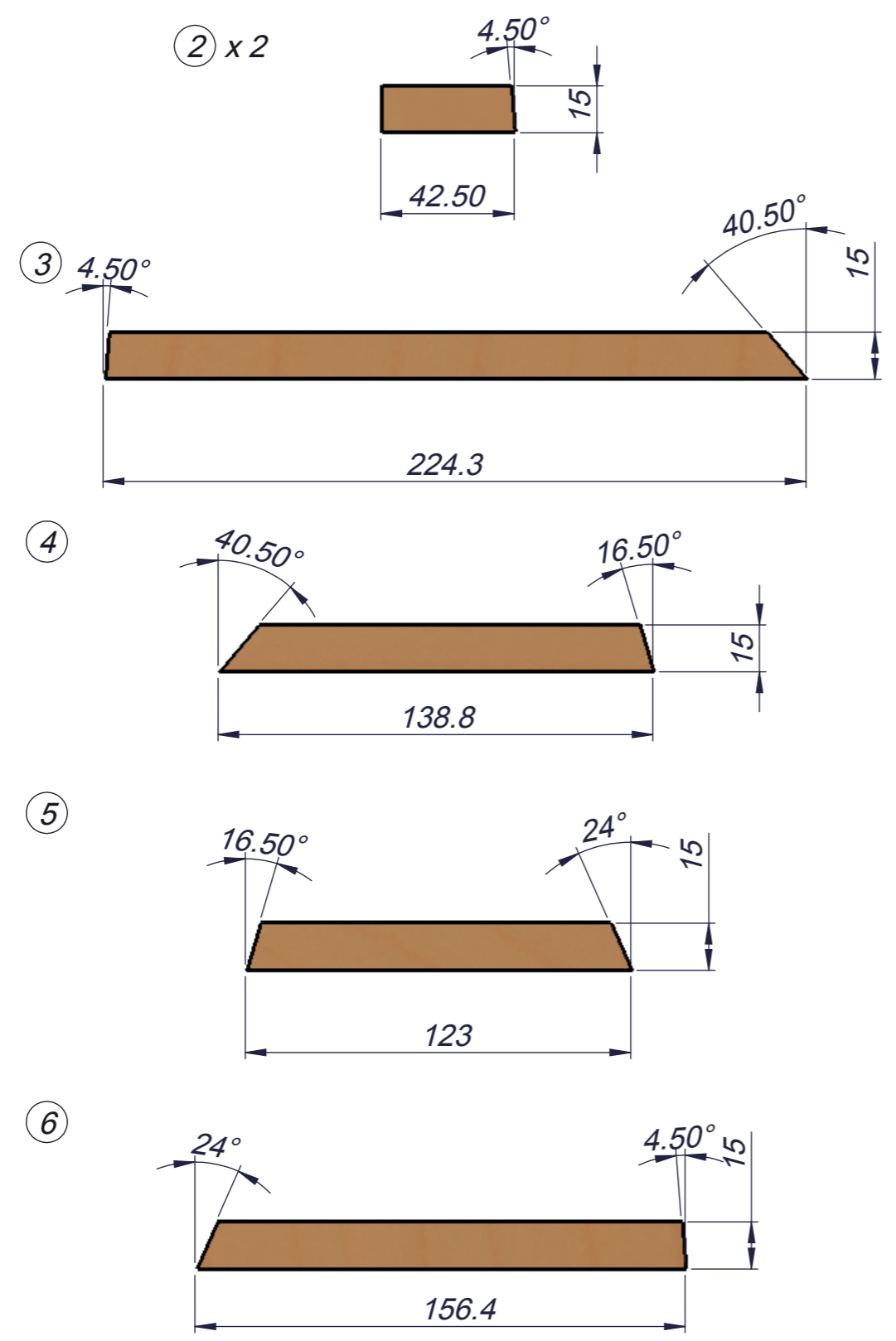
TOP AND BOTTOM PARTS



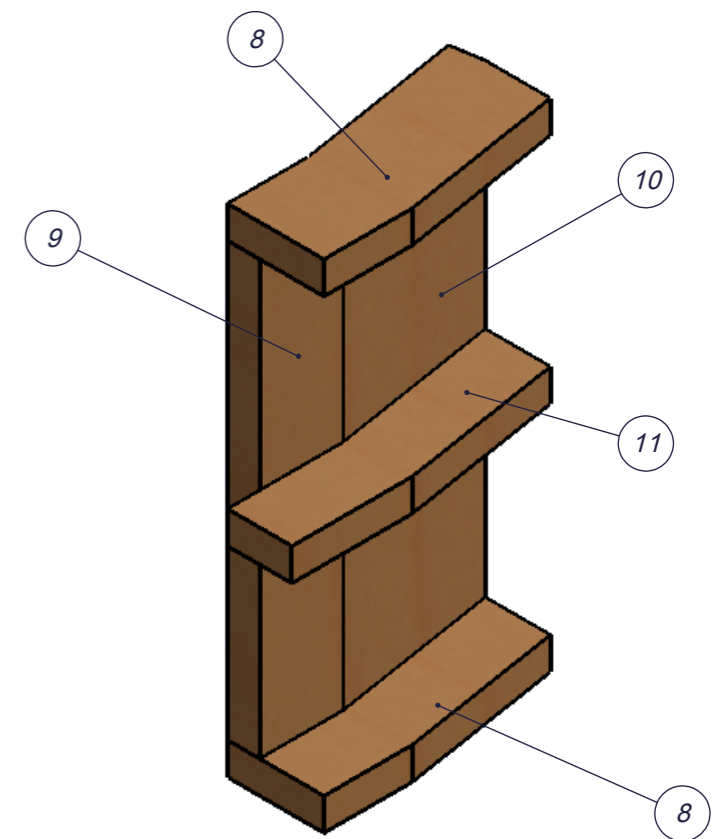
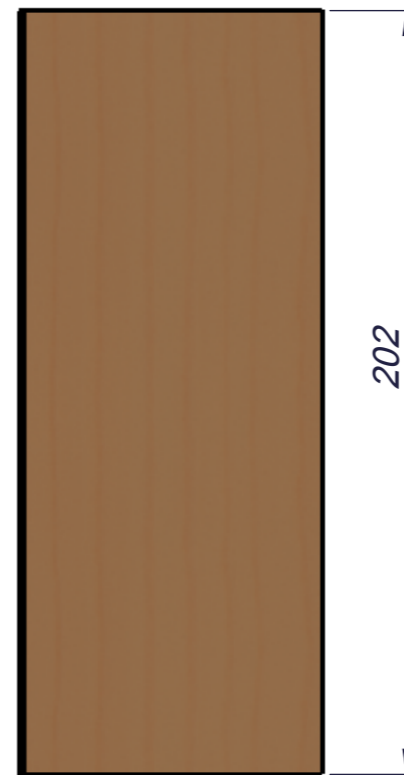
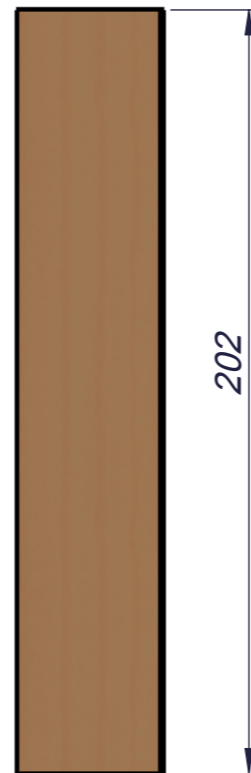
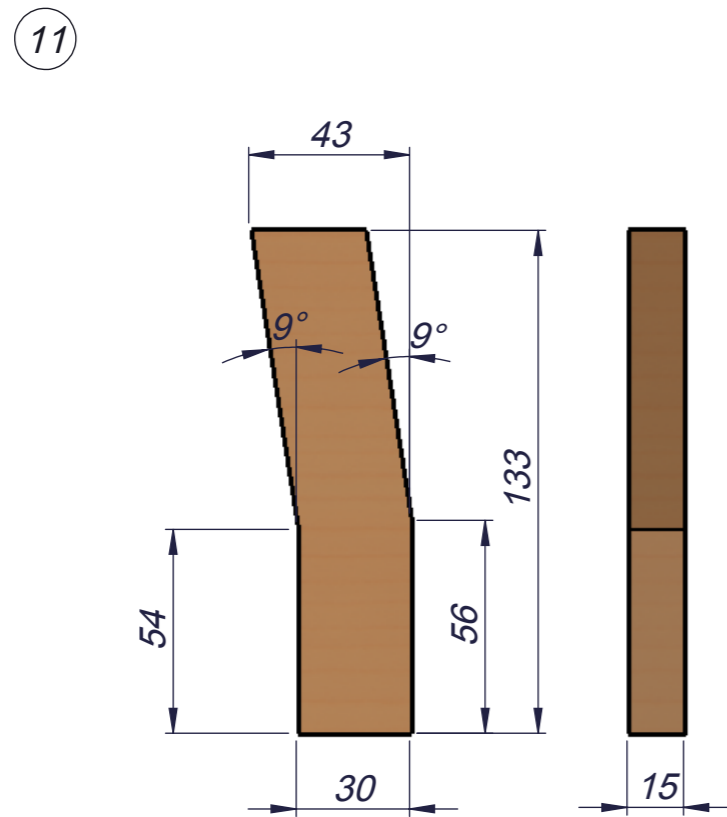
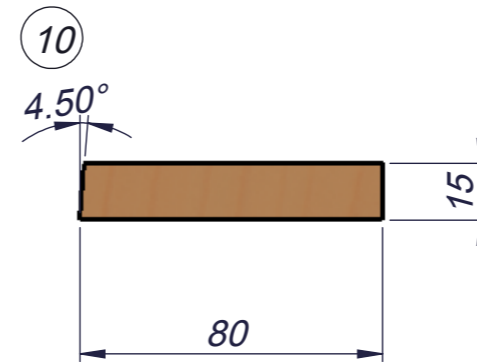
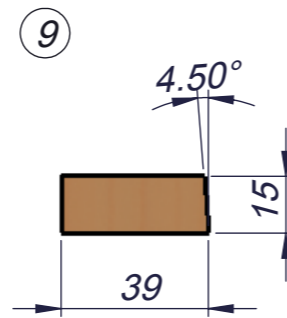
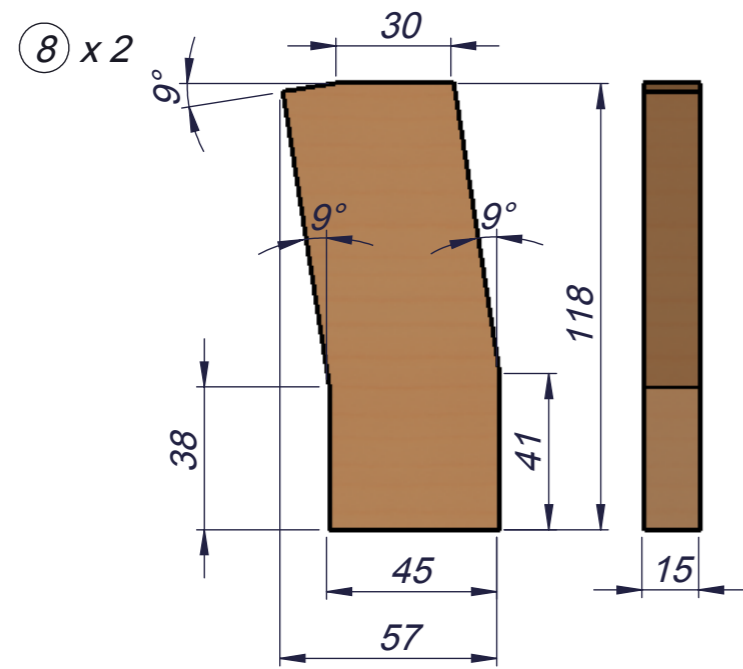
FRONT PANEL



SIDES



VENT ASSEMBLY



beyma  **FR-WR**

FULL RANGE 2 WAY SYSTEM SERIES

