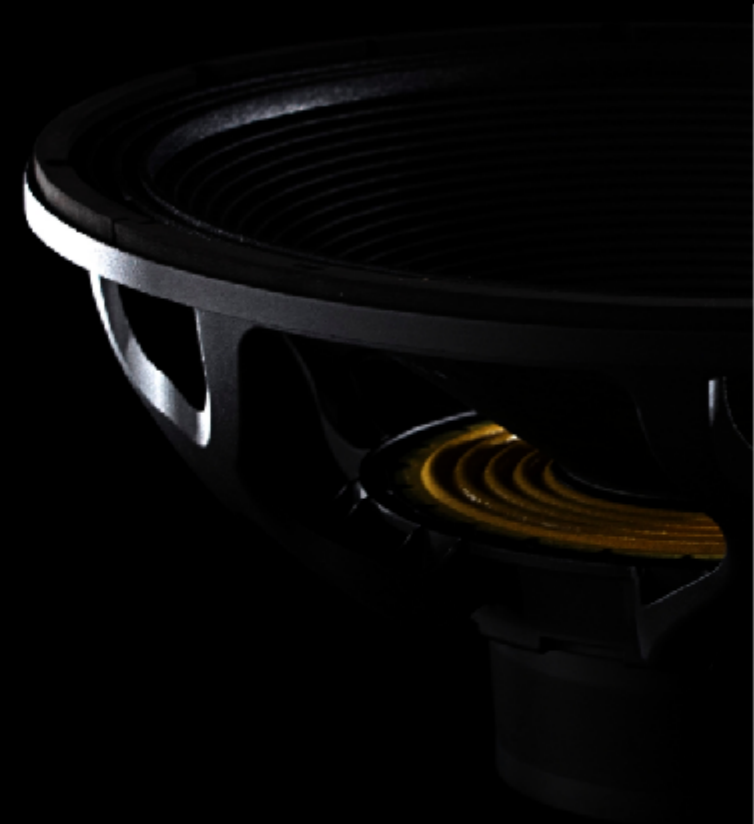


# **beyma** **FR-10CM**

**FULL RANGE 2 WAY SYSTEM 10"**  
**10CMV2 - CD11Fe - TD-194**





**TECHNICAL SPECIFICATIONS**

<b>Frequency response (<math>\pm 3</math> dB)</b>	64 Hz - 20 kHz
<b>Usable bandwidth (-10 dB)</b>	46 Hz - 20 kHz
<b>Maximum SPL (*)</b>	125 dB
<b>Sensitivity 1W@1m</b>	54 dB
<b>HxV Coverage angle (-6 dB)</b>	90°x40°
<b>Transducers LF:</b>	10CMV2
<b>Transducers HF:</b>	CD-11Fe coupled TD-194
<b>AES power handling:</b>	250 W
<b>Nominal impedance:</b>	8 $\Omega$
<b>Connectors:</b>	2 x NL4
<b>Speaker Dimensions(**):</b>	301 x 538 x 307 (Birch Plywood 15mm)
<p>(*) Peak level at 1 m under free field conditions using pink noise with 2 crest factor (6 dB).                  (**) All dimensions in this files are in millimeters.</p>	

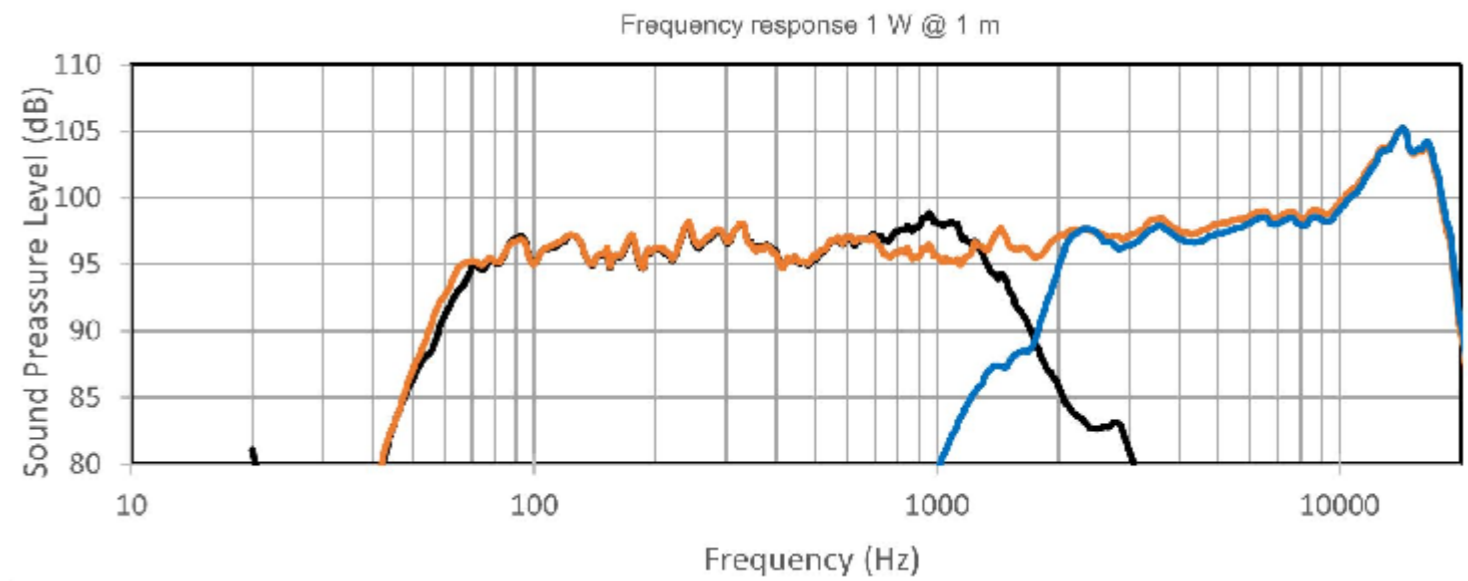


**PRESETS**

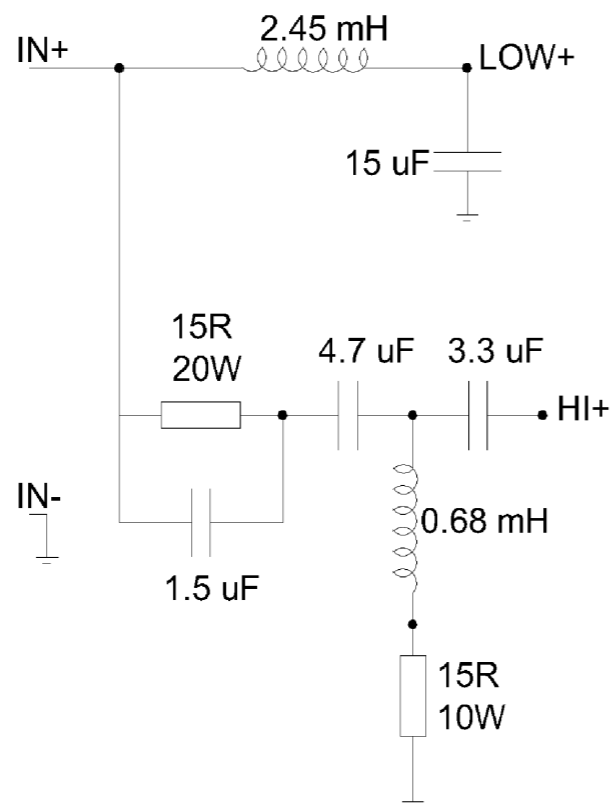
FR-10CM	f (Hz)	Q	Gain (dB)
1	90	1,8	+3
2	273	3,4	-3
3	2310	2	+3
LIMITER (*)	Threshold	Attack	Release
	2 dBu	19 ms	240 ms

*\*for 32 dB Gain amplifier*

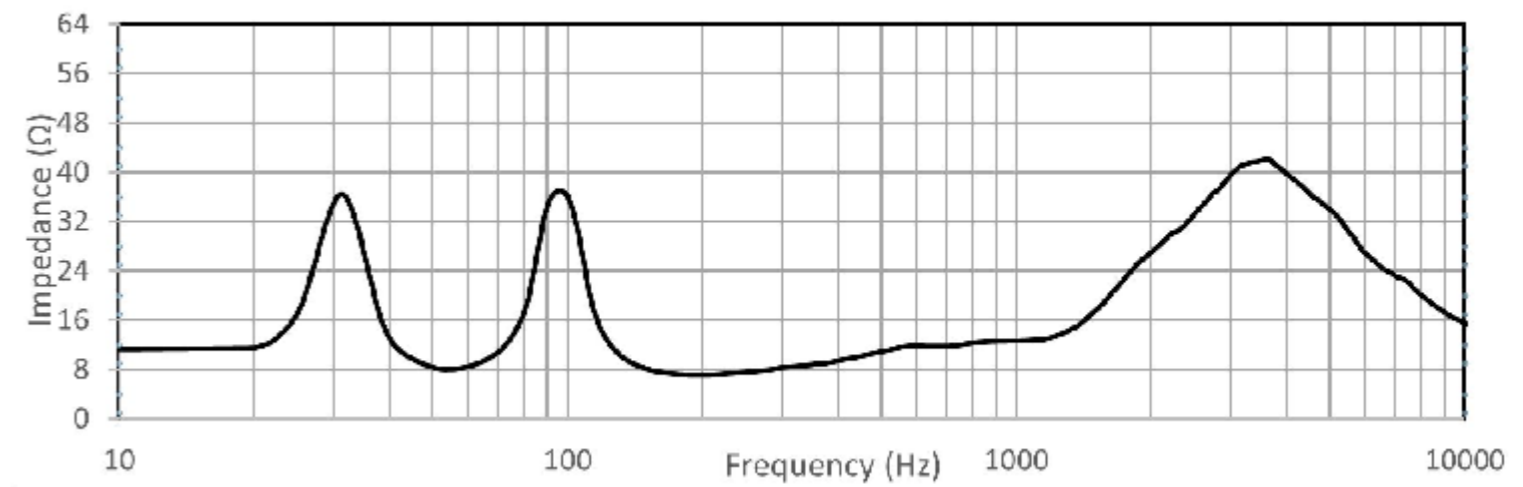
**FREQUENCY RESPONSE**



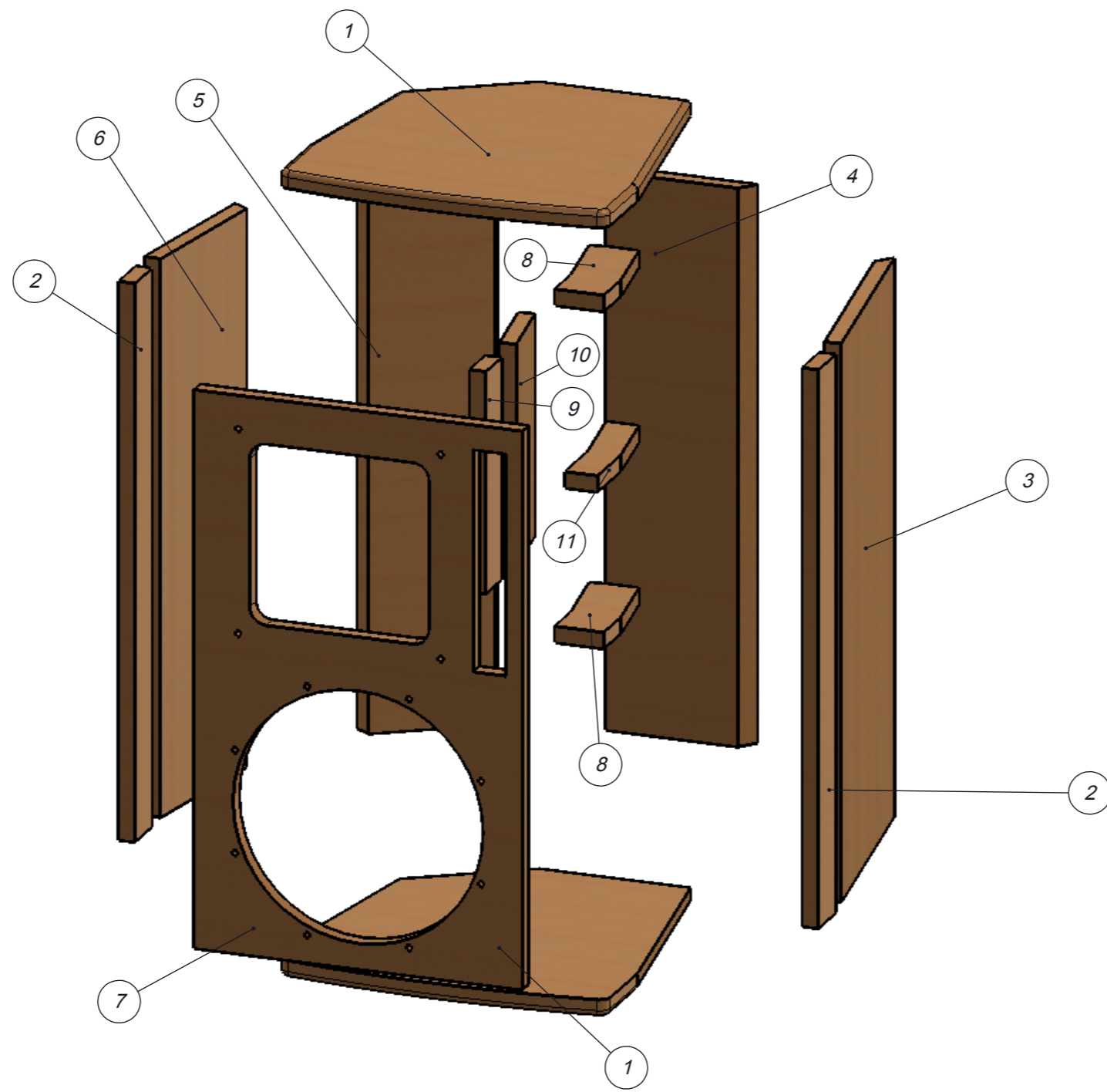
**PASSIVE CROSSOVER DESIGN**



**IMPEDANCE**



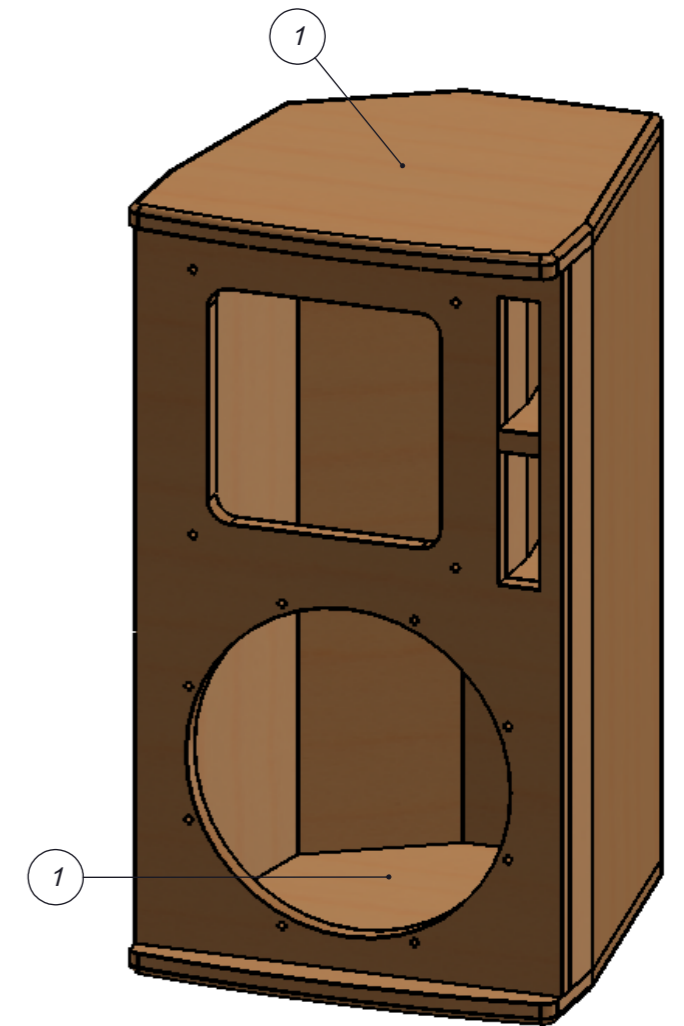
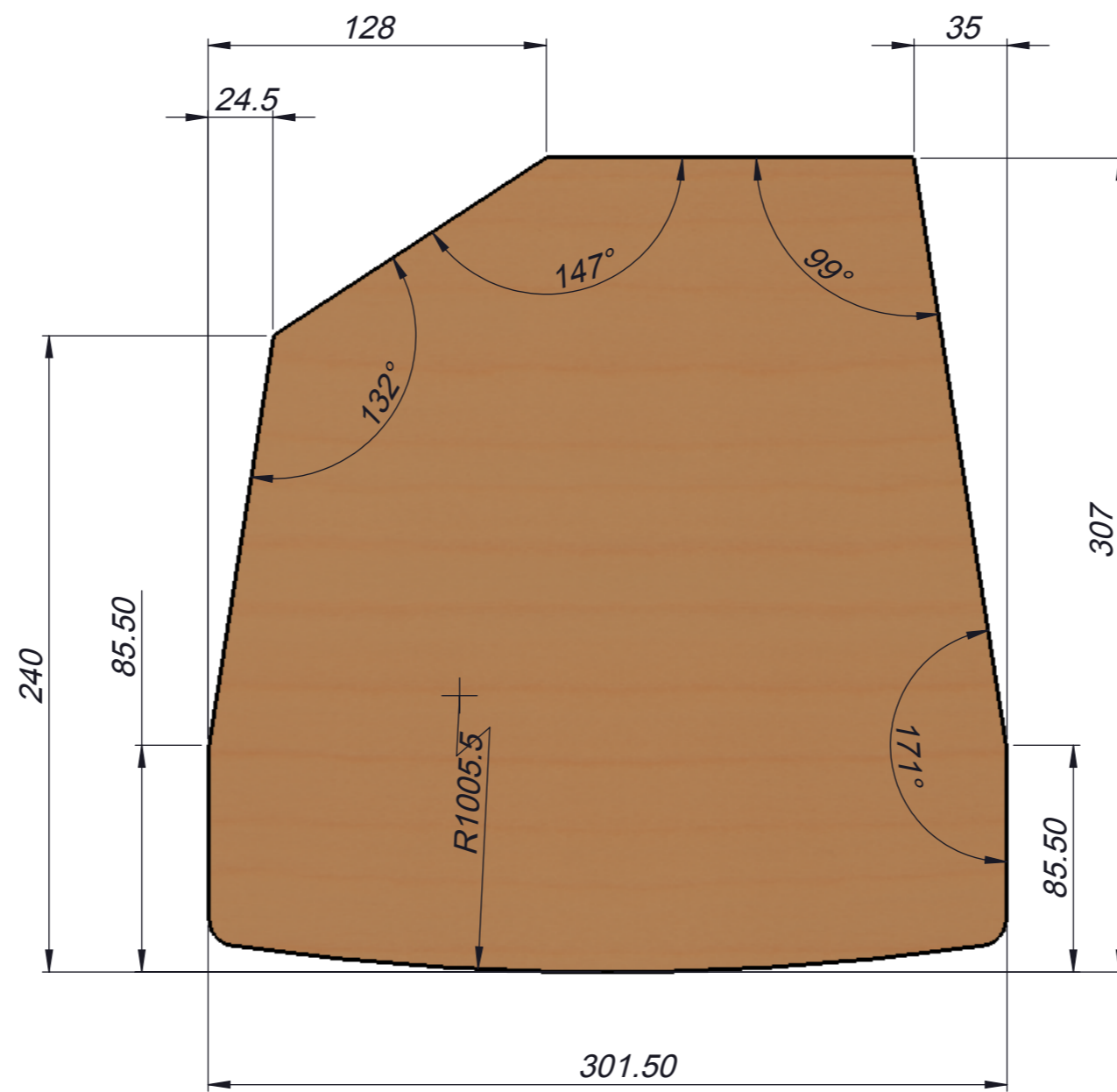
**EXPLODED VIEW**



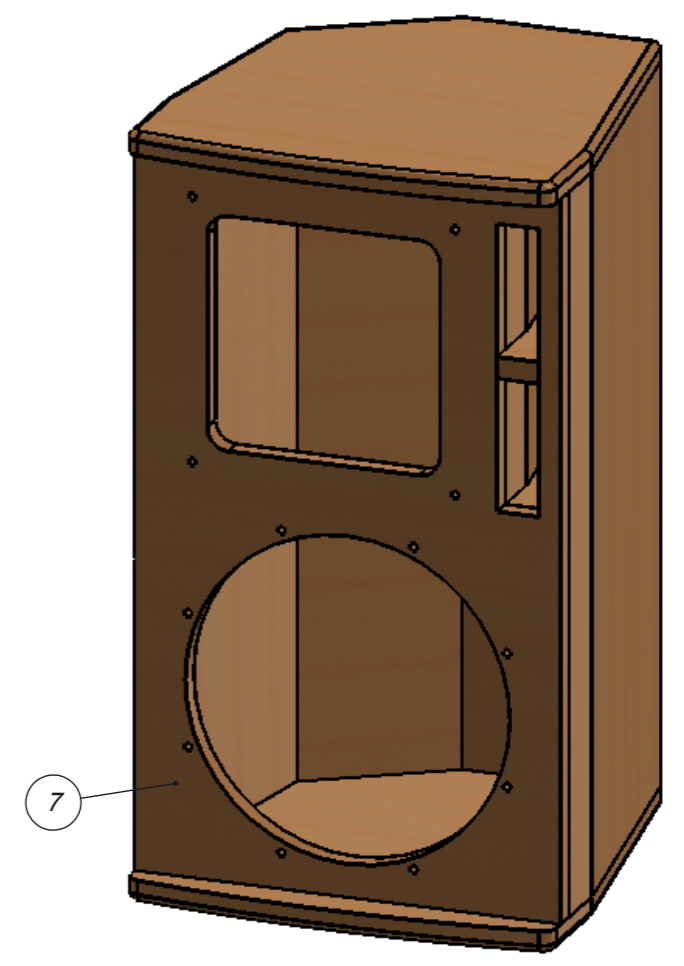
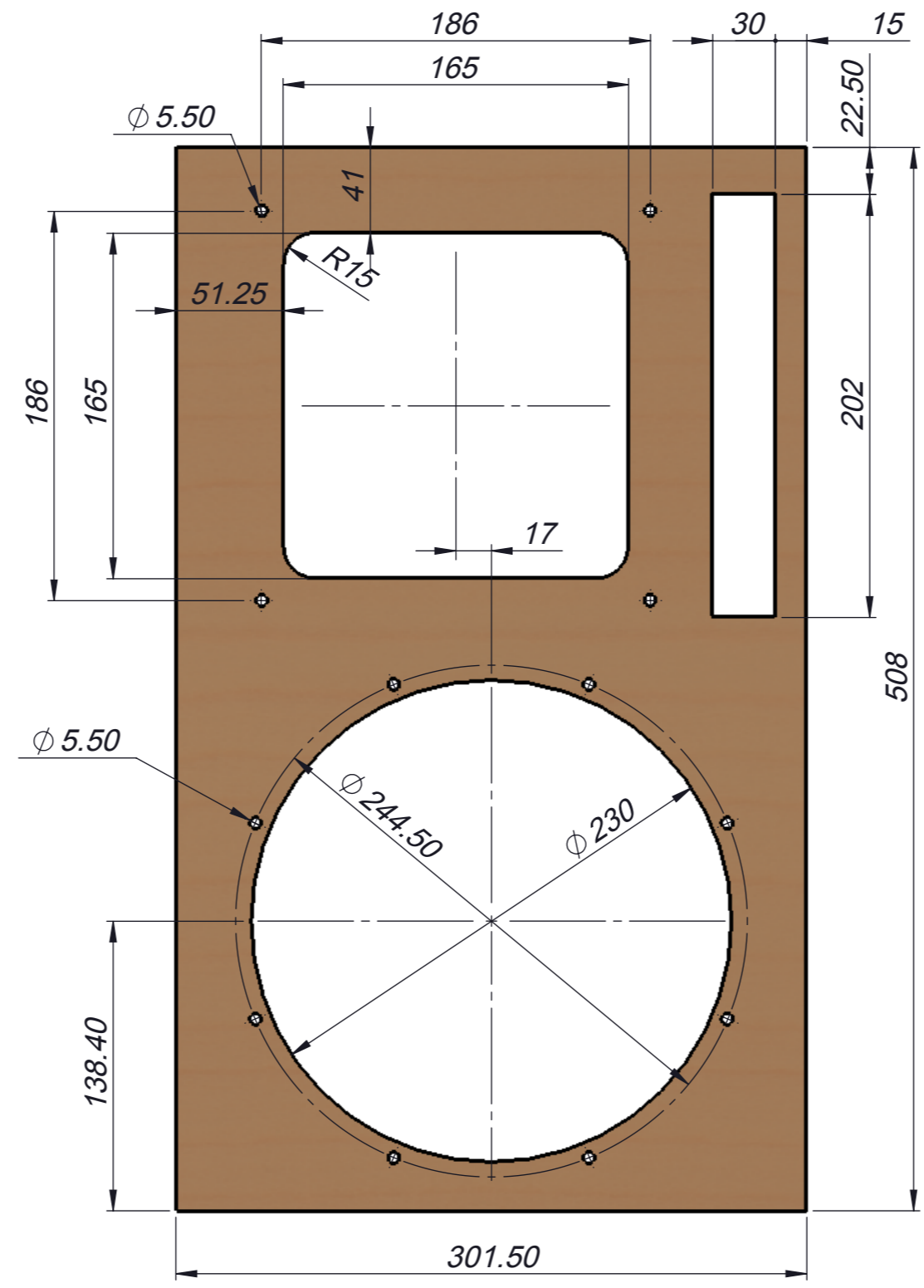
**PARTS LIST**

ITEM NO.	PART DIMENSIONS	QTY.
1	301.5 x 307 x 15	2
2	42.5 x 508 x 15	2
3	224.3 x 508 x 15	1
4	138.8 x 508 x 15	1
5	123 x 508 x 15	1
6	146.4 x 508 x 15	1
7	301.5 x 508 x 15	1
8	120 x 57.3 x 15	2
9	202 x 39 x 15	1
10	202 x 80 x 15	1
11	133 x 42.5 x 15	1

TOP AND BOTTOM PARTS



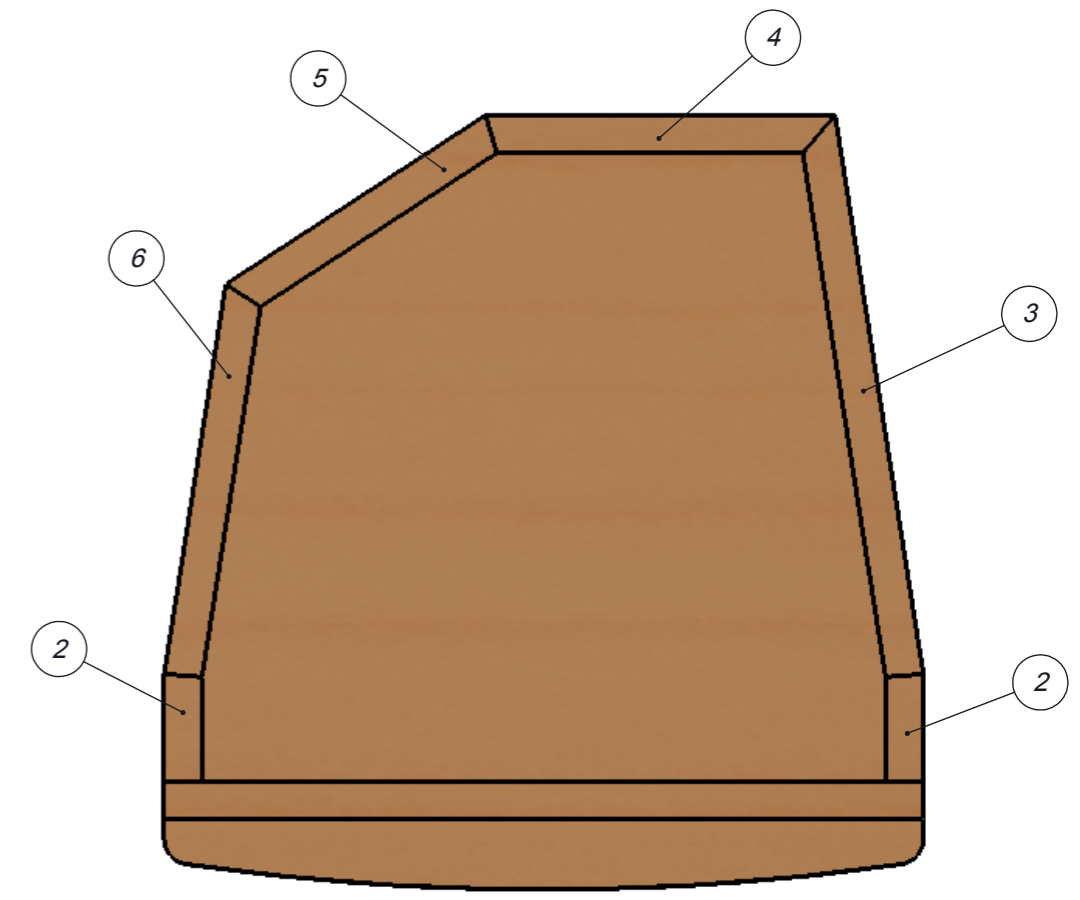
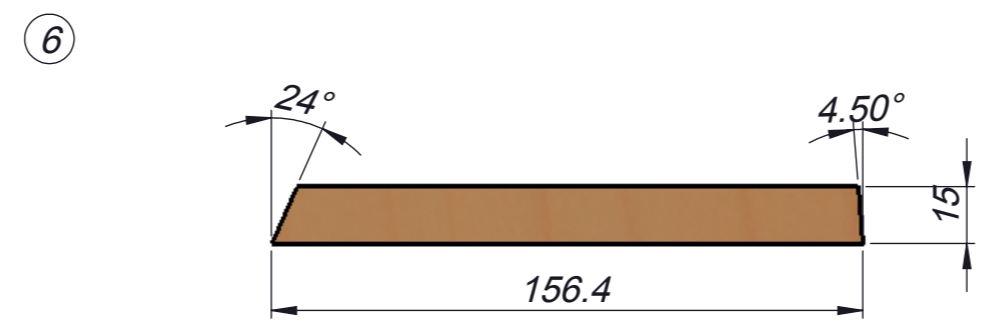
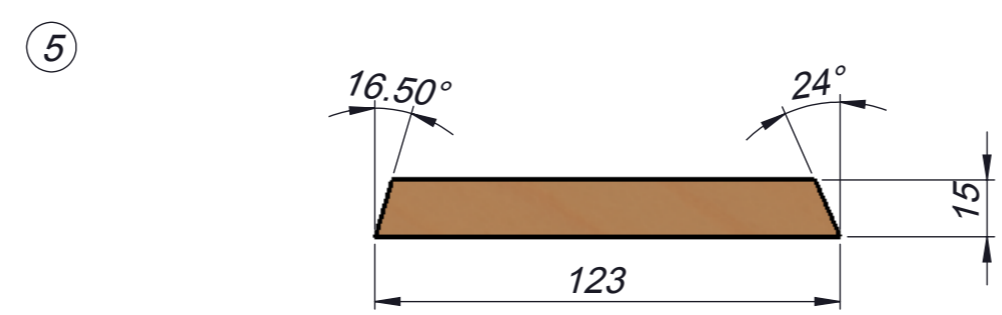
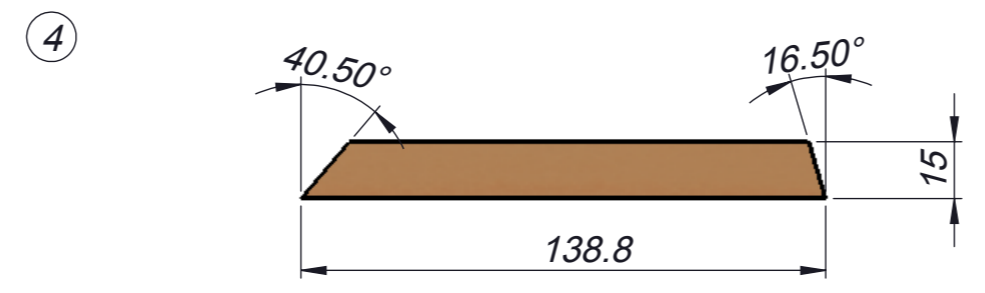
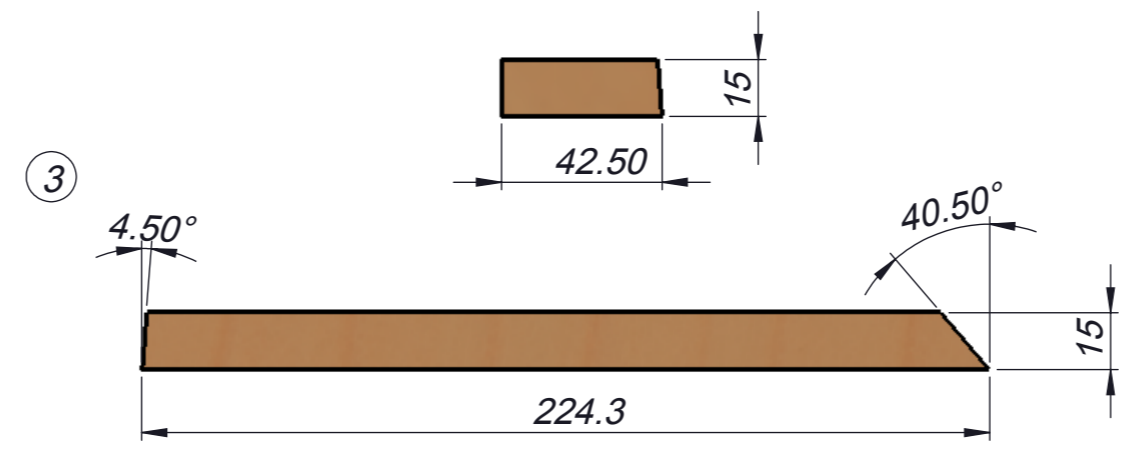
FRONT PANEL



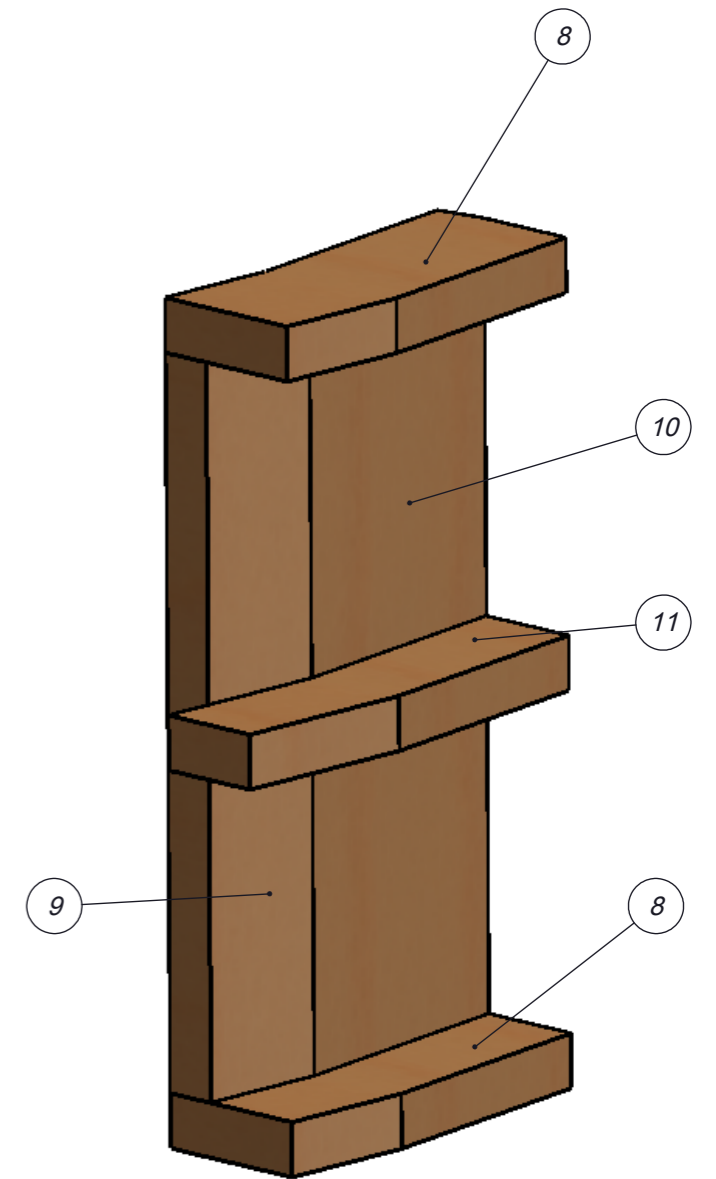
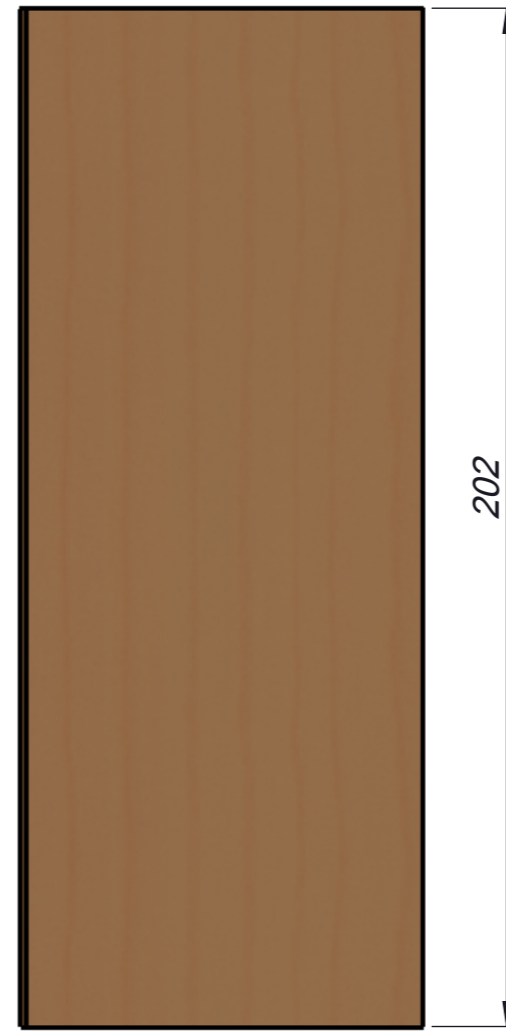
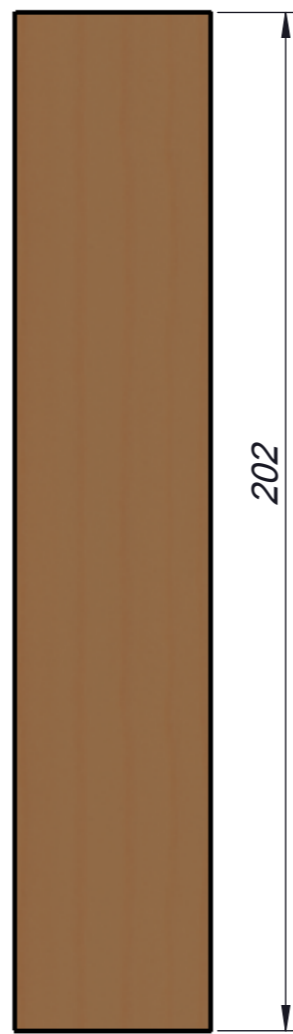
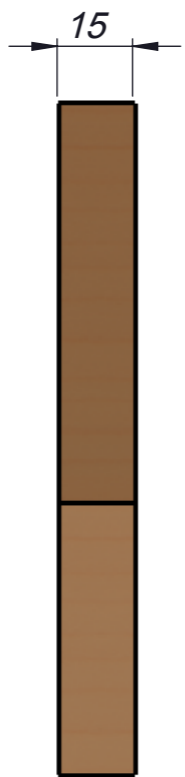
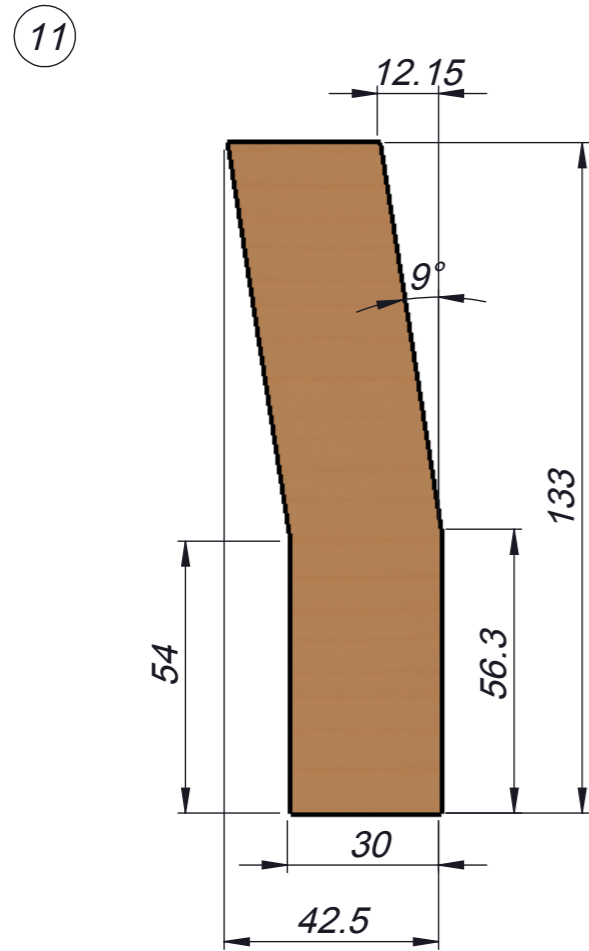
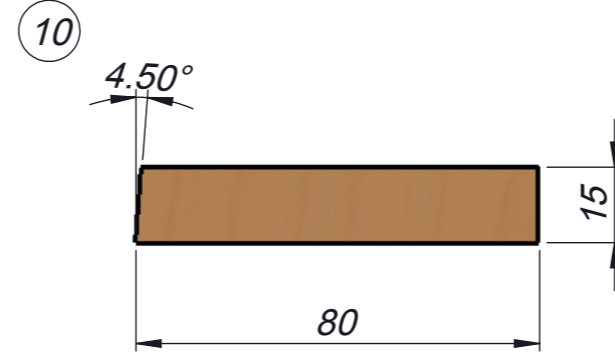
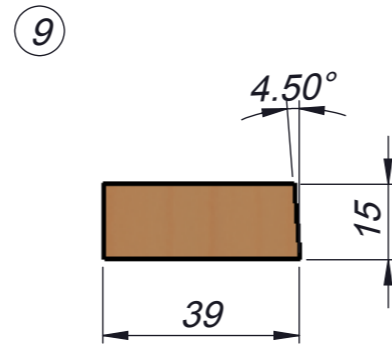
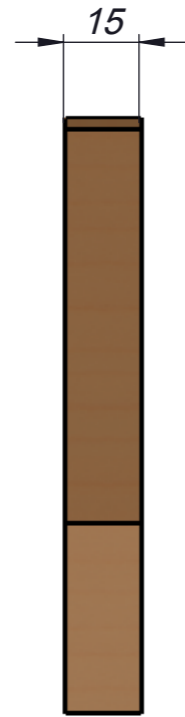
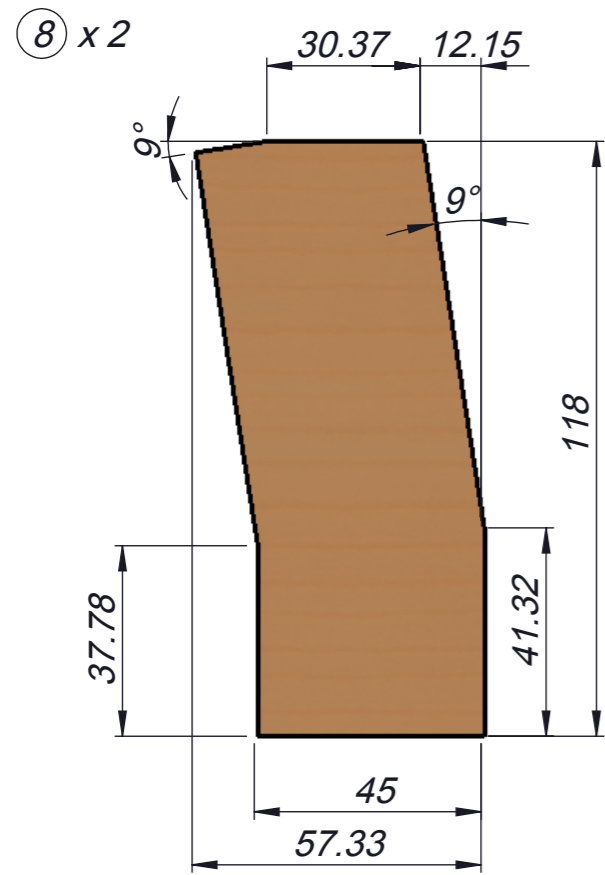


**SIDES**

② x 2



VENT ASSEMBLY





**beyma**  **FR-CM**

**FULL RANGE 2 WAY SYSTEM SERIES**

