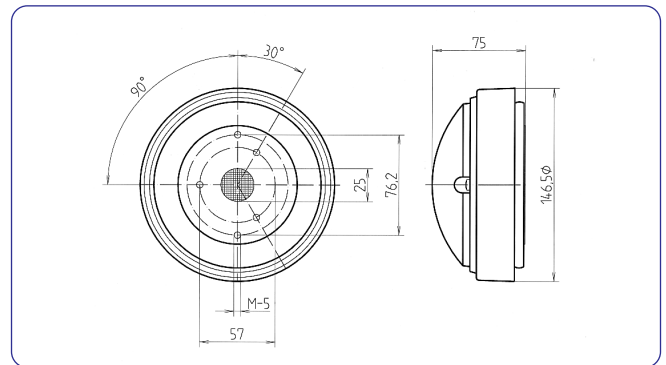


TECHNICAL SPECIFICATIONS

Throat diameter	25 mm. 1 in.
Rated impedance	8 ohms.
Minimum impedance	5.2 ohms. @ 4.5 kHz
D.C. Resistance	4.7 ohms.
Power Capacity*	70 w AES above 1.5 kHz
Program Power	140 w above 1.5 kHz
Sensitivity**	107 dB 1w @ 1m coupled to TD-250 horn
Frequency range	0.8 - 20 kHz
Recommended crossover	1.2 kHz or higher
Voice coil diameter	44.4 mm. 1.75 in.
Magnetic assembly weight	3 kg. 6.6 lb.
Flux density	2 T
BL factor	7 N/A



DIMENSION DRAWINGS



MOUNTING INFORMATION

Overall diameter	146.5 mm. 5.77 in.
Depth	75 mm. 2.95 in.
Mounting	Three M5 threaded holes, 120° apart on 57 mm (2.24 in.) diameter circle. Two M5 threaded holes, 180° apart on 76.2 mm (3 in.) diameter circle. Mounting hardware is supplied.
Net weight	3.25 kg. 7.16 lb.
Shipping weight	3.4 kg. 7.5 lb.

Notes:

*The power capacity is determined according to AES2-1984 (r2003) standard. Program power is defined as the transducer's ability to handle normal music program material.

**Sensitivity was measured at 1 m distance, on axis, with 1 w input, averaged in the range 1-7 kHz

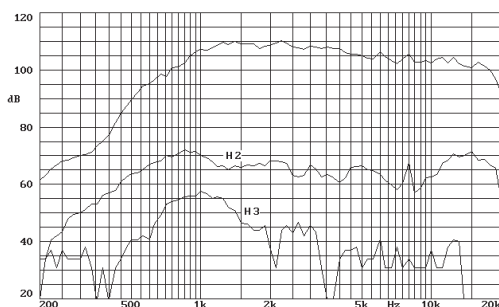
MATERIALS

- **Diaphragm:** Polyester
- **Voice coil:** Edgewound aluminium ribbon
- **Voice coil former:** Kapton
- **Magnet:** Ferrite

GENERAL DESCRIPTION

This 1" professional high quality compression driver features a lightweight diaphragm assembly made with temperature polyester, attached to an edgewound aluminium ribbon voice coil, providing exceptional acoustic pressure over an extremely wide frequency range, with smooth and flat response and low harmonic distortion. The coil diaphragm assembly is easily field replaceable without soldering.

FREQUENCY RESPONSE AND DISTORTION CURVES



Note: on axis frequency response measured coupled to TD250 horn in anechoic chamber, 1w @ 1m

FREE AIR IMPEDANCE CURVE

