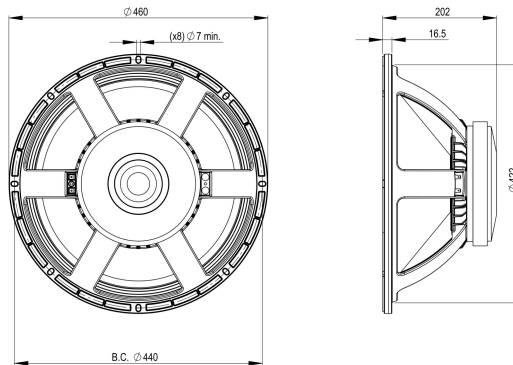


18PZW100

8Ω**LF Drivers** - 18.0 Inches

- 2000 W continuous program power capacity
- 100 mm (4 in) copper voice coil
- 37 - 2000 Hz response
- 97.6 dB sensitivity
- Double silicone spider with optimized compliance

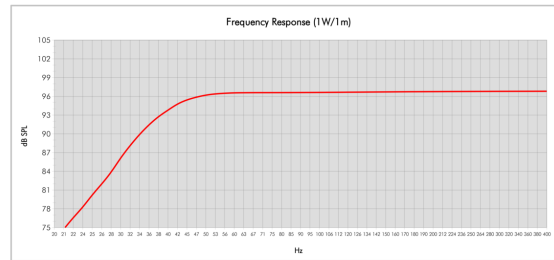
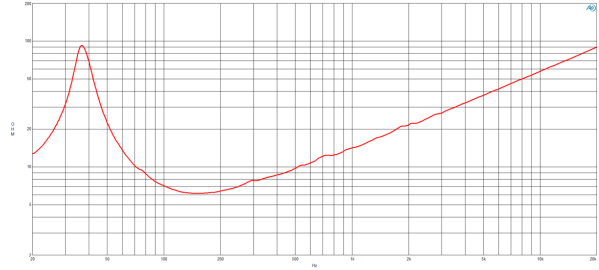
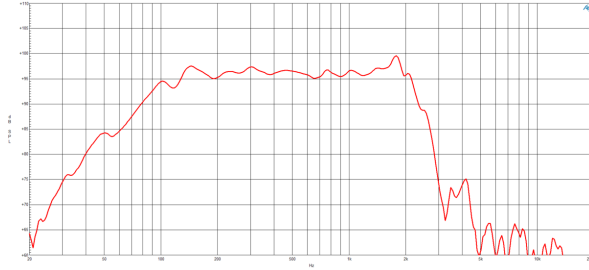


The 18PZW100* is a long Xmax, high power subwoofer that features a triple roll surround. This proven model features a 21 mm long, 4 inch diameter (100mm) Copper wire voice coil. A 1000watt AES power rating, 97.6 dB sensitivity, and over 10.5mm of Xvar make the 18PZW100 an interesting alternative.

***Also known as 18/126 in some regions.**

18PZW100

LF Drivers- 18.0 Inches



Model:	18PZW100	Configuration:	One Driver
Enclosure Type:	Bas Reflex	QES:	7
Internal Net Volume (litre):	150	Port Area (cm ²):	339.0
Tuning Frequency (Hz):	40	Port Length (cm):	24.3
Frequency (-3 dB) (Hz):	40.1		
Frequency (-10 dB) (Hz):	30.7		

SPECIFICATIONS

Nominal Diameter	460 mm (18.0 in)
Nominal Impedance	8 Ω
Minimum Impedance	6.2 Ω
Nominal Power Handling ¹	1000 W
Continuous Power Handling ²	2000 W
Sensitivity ³	97.6 dB
Frequency Range	37 - 2000 Hz
Voice Coil Diameter	100 mm (4.0 in)
Winding Material	Copper
Former Material	Glass Fibre
Winding Depth	21.0 mm (0.83 in)
Magnetic Gap Depth	11.0 mm (0.43 in)
Flux Density	1.0 T

DESIGN

Surround Shape	Triple Roll
Cone Shape	Exponential
Magnet Material	Ferrite
Spider	Double Silicone
Pole Design	T-Pole
Woofers Cone Treatment	TWP Waterproof Both Sides
Recommended Enclosure	150.0 dm ³ (5.3 ft ³)
Recommended Tuning	40 Hz

PARAMETERS⁴

Resonance Frequency	37 Hz
Re	5.1 Ω
Qes	0.38
Qms	7.9
Qts	0.36
Vas	186.0 dm ³ (6.57 ft ³)
Sd	1210.0 cm ² (187.55 in ²)
η _o	2.32 %
Xmax	± 8.0 mm
Xvar	± 10.5 mm
Mms	209.0 g
Bl	25.5 Txm
Le	1.58 mH
EBP	97 Hz

MOUNTING AND SHIPPING INFO

Overall Diameter	460 mm (18.11 in)
Bolt Circle Diameter	440 mm (17.32 in)
Baffle Cutout Diameter	422.0 mm (16.61 in)
Depth	202 mm (7.95 in)
Flange and Gasket Thickness	16 mm (0.65 in)
Air Volume Occupied by Horn	9.5 dm ³ (0.34 ft ³)
Net Weight	12.2 kg (26.9 lb)
Shipping Units	1
Shipping Weight	13.8 kg (30.42 lb)
Shipping Box	500x495x275 mm (19.69x19.49x10.83 in)

SERVICE KIT

Recone kit	RCK18PZW1008
------------	--------------

B&C Speakers s.p.a.

Via Poggiomoro, 1 - Loc. Vallina, 50012 Bagno a Ripoli (FI) - ITALY - Tel. +39 055 65721 - Fax +39 055 6572312 - mail@bcspeakers.com

1. 2 hours test made with continuous pink noise signal within the range Fs-10Fs. Power calculated on rated minimum impedance. Loudspeaker in free air.
2. Power on Continuous Program is defined as 3 dB greater than the Nominal rating.
3. Applied RMS Voltage is set to 2.83 V for 8 ohms Nominal Impedance.
4. Thiele-Small parameters are measured after a high level 20 Hz sine wave preconditioning test.