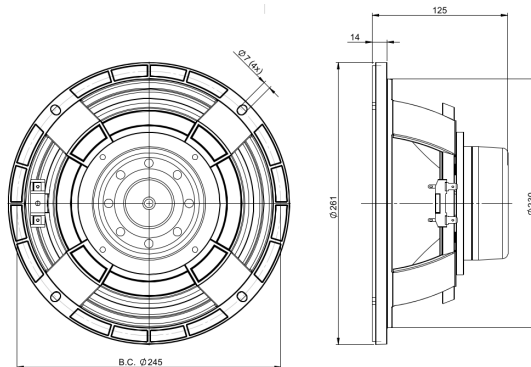


10MBX64

16Ω**LF Drivers - 10.0 Inches**

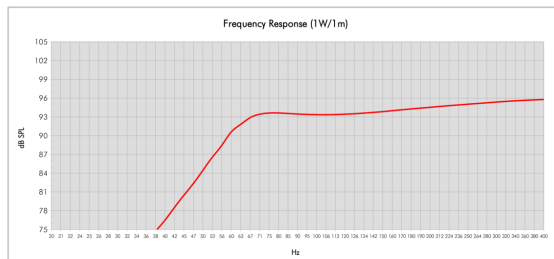
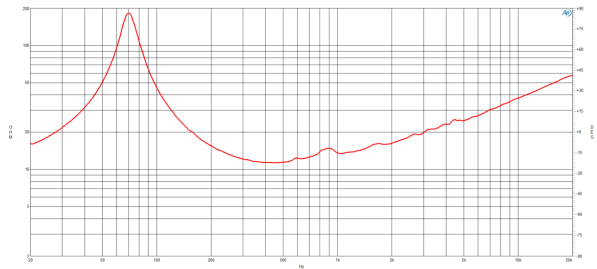
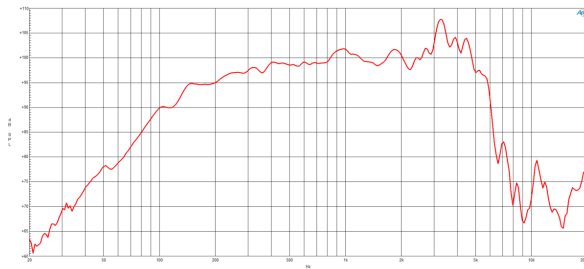
- 700 W continuous program power capacity
- 64 mm (2.5 in) aluminium voice coil
- 65 - 6000 Hz response
- 100 dB sensitivity
- Neodymium inside slug magnet assembly
- Aluminium demodulating ring allows a very low distortion figure
- Ventilated voice coil gap for reduced power compression



The MBX series mid-bass woofers from B&C Speakers offer acoustic designers a new range of high efficiency, wide bandwidth alternatives that are not currently available in the B&C range. These full-featured transducers incorporate lightweight neodymium motors, inside/outside wound copper clad aluminum wire voice coils, weatherproof impregnated paper cones, and a symmetrical inductance profile. The MBX Series is especially well suited for two-way loudspeaker enclosures.

10MBX64

LF Drivers- 10.0 Inches



Model: 10MBX64
 Enclosure Type: Bass Reflex Configuration: One Driver
 Internal Net Volume (liters): 26 QES: 6
 Tuning Frequency (Hz): 65 Port Area (cm²): 1131.0
 Frequency (-3 dB) (Hz): 71.1 Port Length (cm): 20.0
 Frequency (-10 dB) (Hz): 92.8

SPECIFICATIONS

Nominal Diameter	250 mm (10.0 in)
Nominal Impedance	16 Ω
Minimum Impedance	11.3 Ω
Nominal Power Handling ¹	350 W
Continuous power handling ²	700 W
Sensitivity (1W/1m) ³	100.0 dB
Frequency Range	65 - 6000 Hz
Voice Coil Diameter	64 mm (2.5 in)
Winding Material	Aluminium
Former Material	Glass Fibre
Winding Depth	12.0 mm (0.47 in)
Magnetic Gap Depth	8.0 mm (0.31 in)
Flux Density	1.25 T

DESIGN

Surround Shape	Double Roll
Cone Shape	Radial
Magnet Material	Neodymium Inside Slug
Spider	Single
Pole Design	T-Pole
Woofer Cone Treatment	Waterproof Impregnated Cone
Recommended Enclosure	26.0 dm ³ (0.92 ft ³)
Recommended Tuning	65 Hz

PARAMETERS⁴

Resonance Frequency	65 Hz
Re	10.2 Ω
Qes	0.32
Qms	5.8
Qts	0.3
Vas	30.0 dm ³ (1.06 ft ³)
Sd	346.0 cm ² (53.63 in ²)
η _o	3.0 %
Xmax	± 4.0 mm
Xvar	± 5.5 mm
Mms	30.0 g
Bl	20.5 Txm
Le	0.57 mH
EBP	203 Hz

MOUNTING AND SHIPPING INFO

Overall Diameter	261 mm (10.28 in)
Bolt Circle Diameter	245 mm (9.65 in)
Baffle Cutout Diameter	230.0 mm (9.06 in)
Depth	125 mm (4.92 in)
Flange and Gasket Thickness	14 mm (0.55 in)
Air Volume Occupied by Driver	1.5 dm ³ (0.05 ft ³)
Net Weight	3.2 kg (7.05 lb)
Shipping Units	1
Shipping Weight	3.8 kg (8.38 lb)
Shipping Box	295x314x175 mm (11.61x12.36x6.89 in)

SERVICE KIT

Recone kit	RCK10MBX6416
------------	--------------

B&C Speakers s.p.a.

Via Poggiomoro, 1 - Loc. Vallina, 50012 Bagno a Ripoli (FI) - ITALY - Tel. +39 055 65721 - Fax +39 055 6572312 - mail@bcspeakers.com

1. 2 hours test made with continuous pink noise signal within the range F_s - $10F_s$. Power calculated on rated minimum impedance. Loudspeaker in free air.
2. Power on Continuous Program is defined as 3 dB greater than the Nominal rating.
3. Applied RMS Voltage is set to 4 V for 16 ohms Nominal Impedance.
4. Thiele-Small parameters are measured after a high level 20 Hz sine wave preconditioning test.