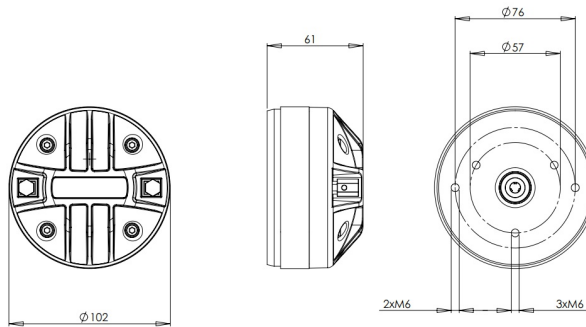


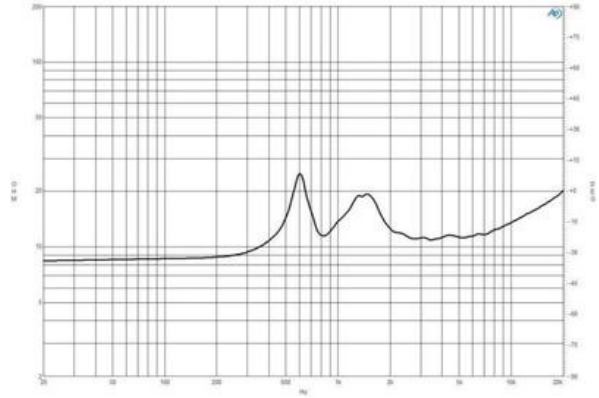
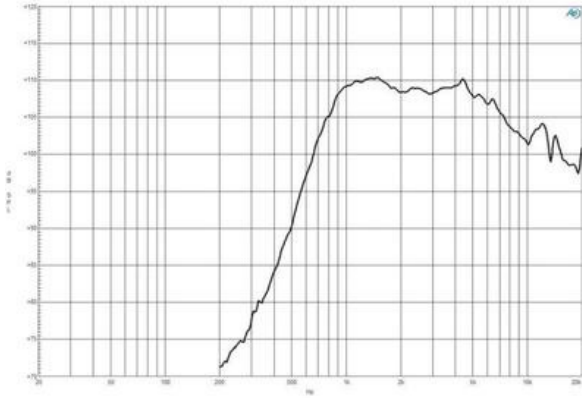
DE200

16Ω**HF Drivers - 1.0 Inches**

- 100 W continuous program power capacity
- 1" horn throat diameter
- 44 mm (1.7 in) aluminium voice coil
- Titanium diaphragm
- 1000 - 18000 Hz response
- 106 dB sensitivity

DE200

HF Drivers- 1.0 Inches



SPECIFICATIONS¹

Throat Diameter	25 mm (1.0 in)
Nominal Impedance	16 Ω
Minimum Impedance	10.9 Ω
Nominal Power Handling ²	50 W
Continuous Power Handling ³	100 W
Sensitivity ⁴	106.0 dB
Frequency Range	1.0 - 18.0 kHz
Recommended Crossover ⁵	1.6 kHz
Voice Coil Diameter	44 mm (1.7 in)
Winding Material	Aluminium
Inductance	0.14 mH
Diaphragm Material	Titanium
Flux Density	1.5 T
Magnet Material	Ferrite

MOUNTING AND SHIPPING INFO

Two M6 holes 180° on 76 mm (3 in) diameter	
Three M6 holes 120° on 57 mm (2.2 in) diameter	
Overall Diameter	102 mm (4.0 in)
Depth	61 mm (2.4 in)
Net Weight	1.7 kg (3.7 lb)
Shipping Units	8
Shipping Weight	14.6 kg (32.1 lb)
Shipping Box	230x230x160 mm (9x9x6.3 in)

REPLACEMENT DIAPHRAGM

MMD20016

1. Driver mounted on B&C ME 45 horn.
2. 2 hour test made with continuous pink noise signal within the range from the recommended crossover frequency to 20 kHz. Power calculated on rated nominal impedance.
3. Power on Continuous Program is defined as 3 dB greater than the Nominal rating.
4. Applied RMS voltage is set to 4 V for 16 ohm Nominal Impedance
5. 12 dB/oct. or higher slope high-pass filter.