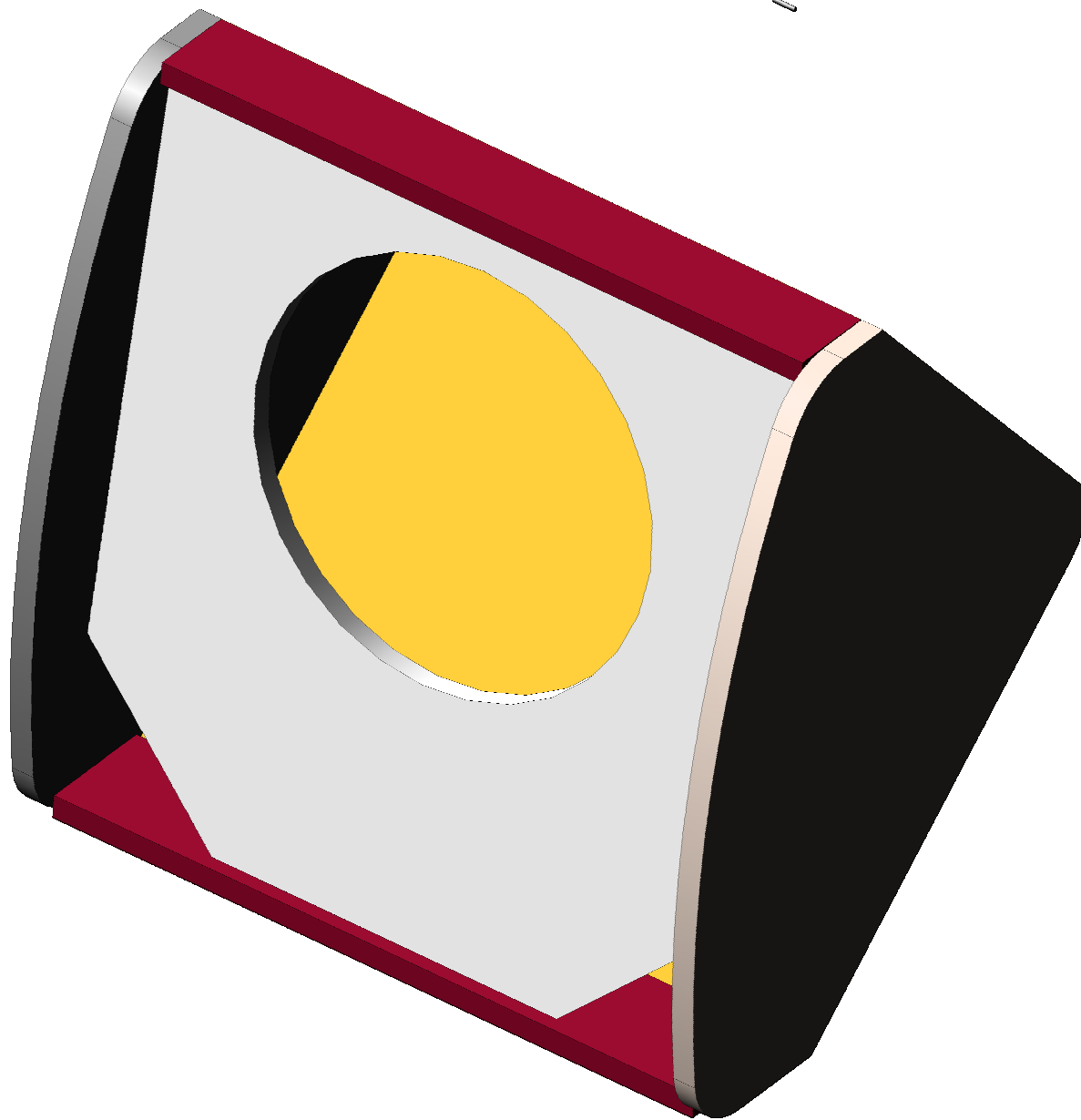




MC122AN

B&C Component Options
12HCX76 8 ohm

www.bcspeakers.com

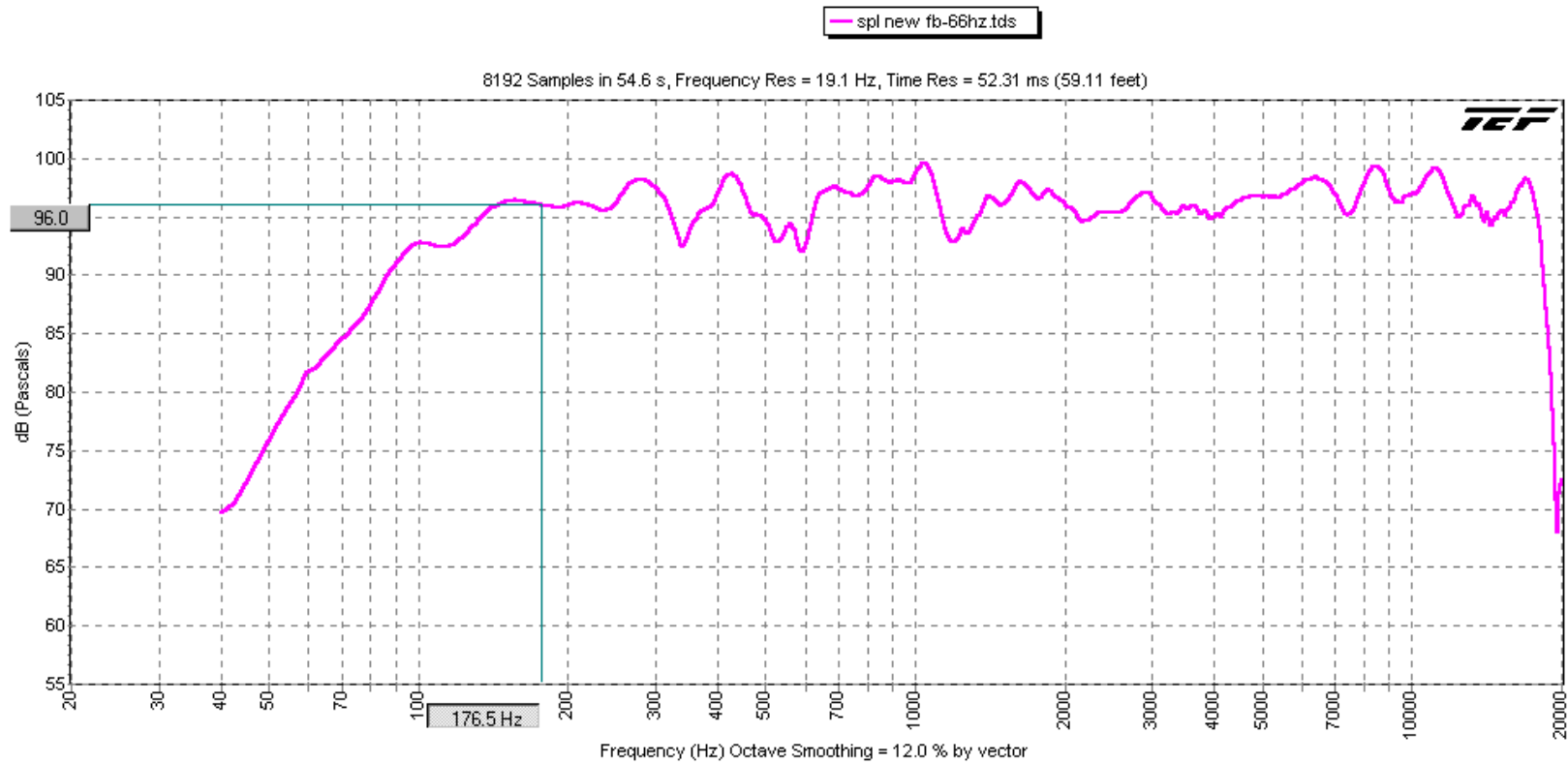


MC122AN

Material 15mm Birch Plywood

spl new fb-66hz
11/17/09 5:16:35 AM livingroom

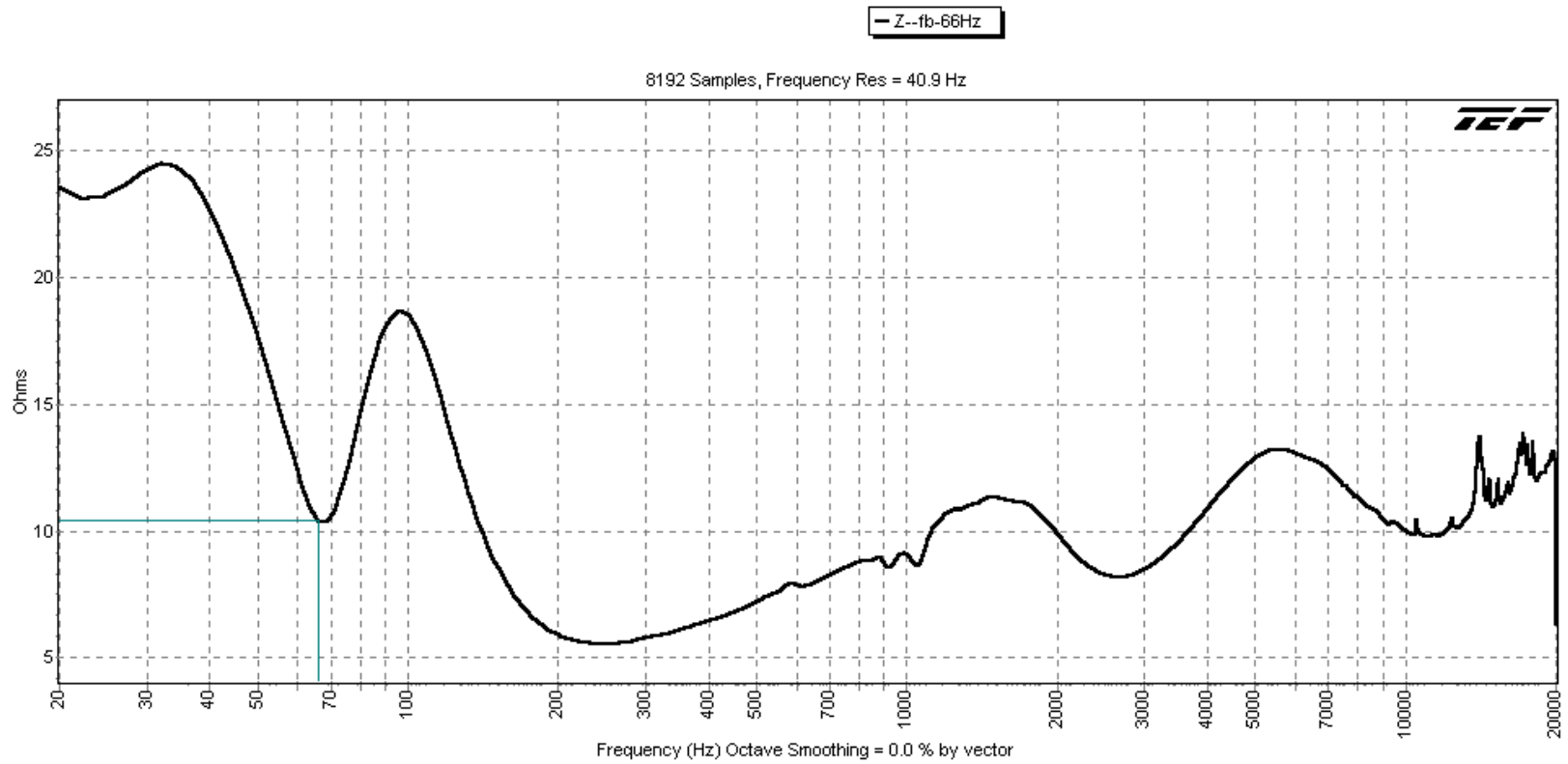
Cursor = 96.0 dB at 176.5 Hz

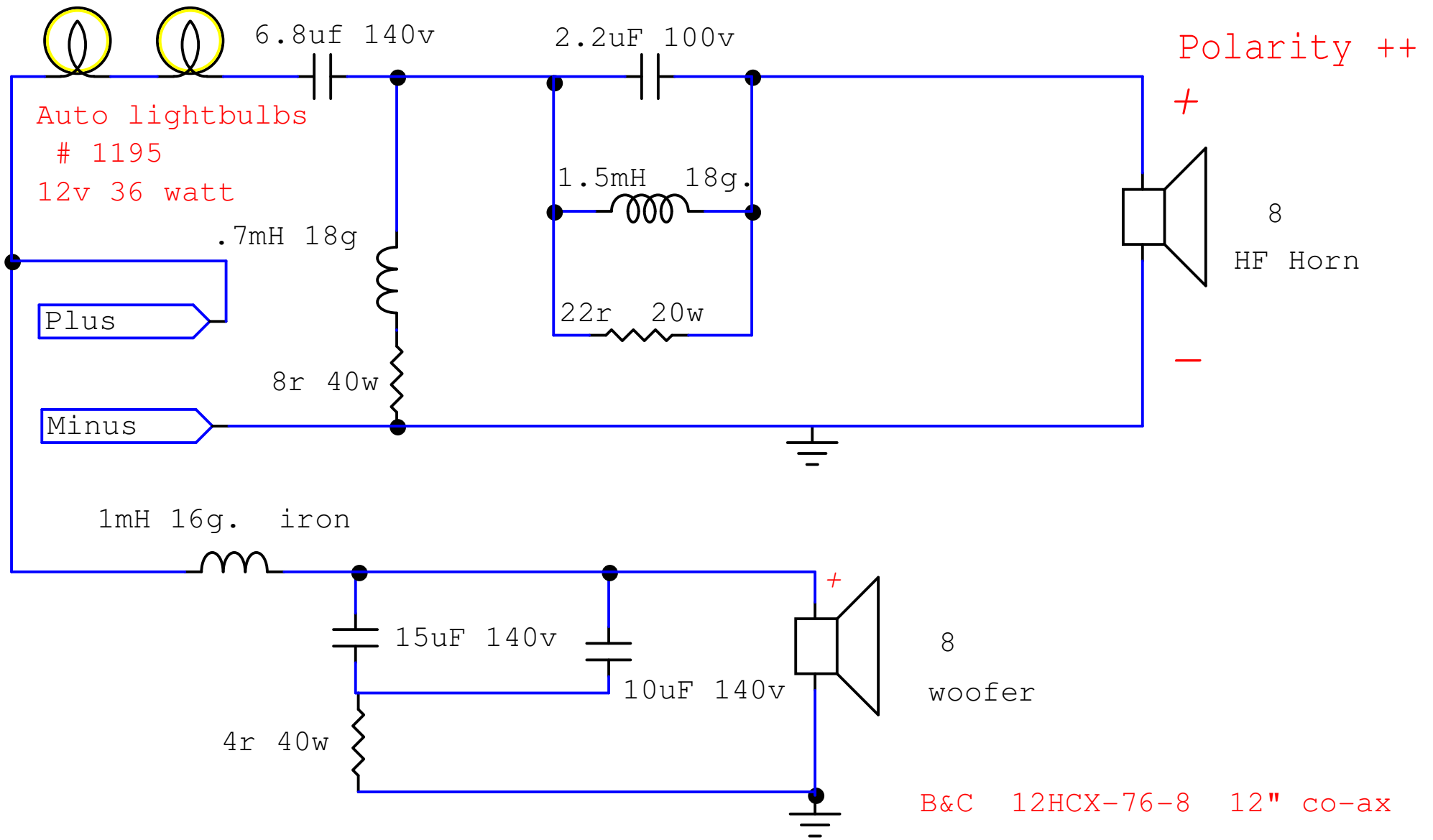


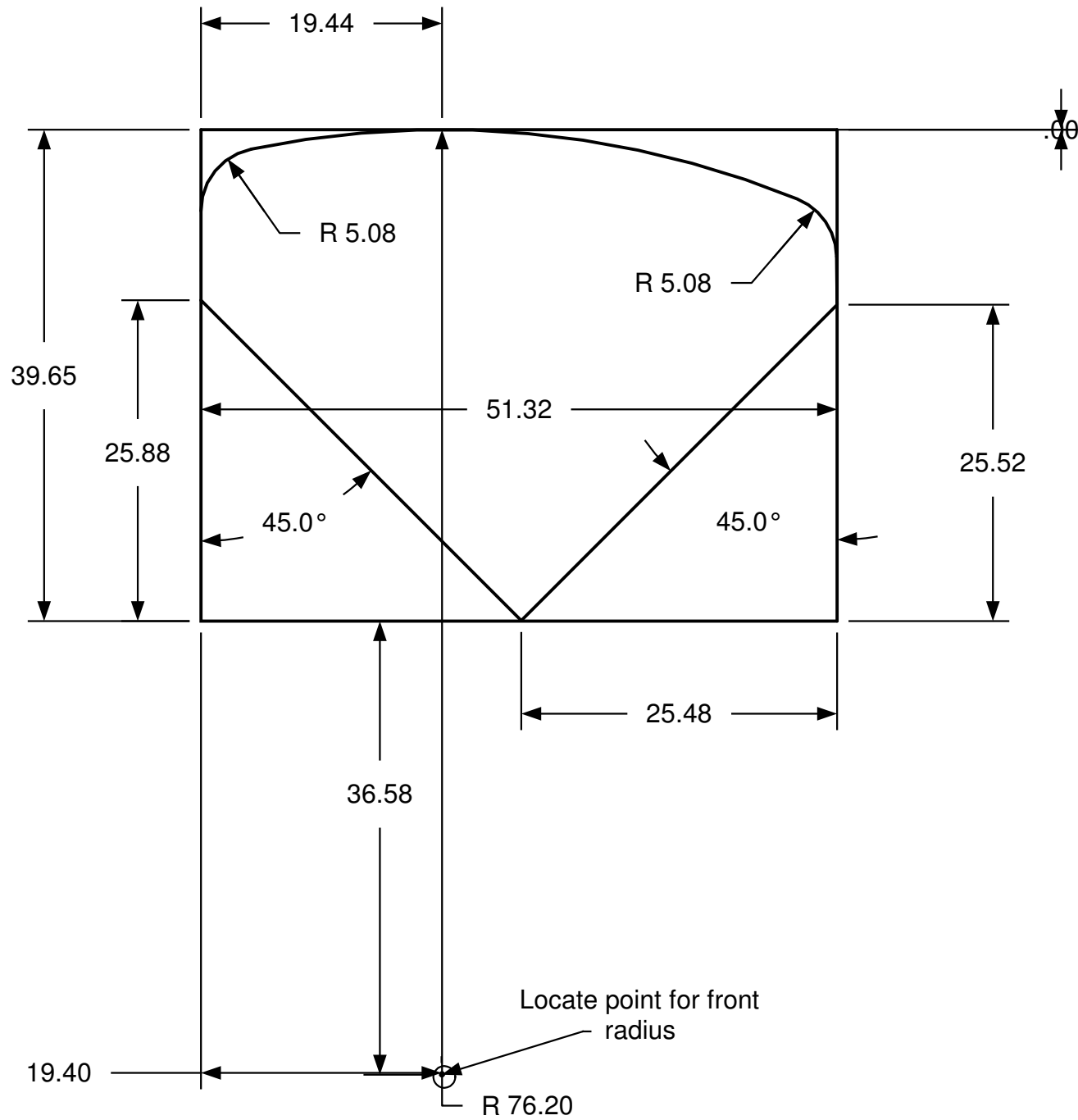
Z--fb-66Hz

livingroom 11/17/09 5:09:00 AM

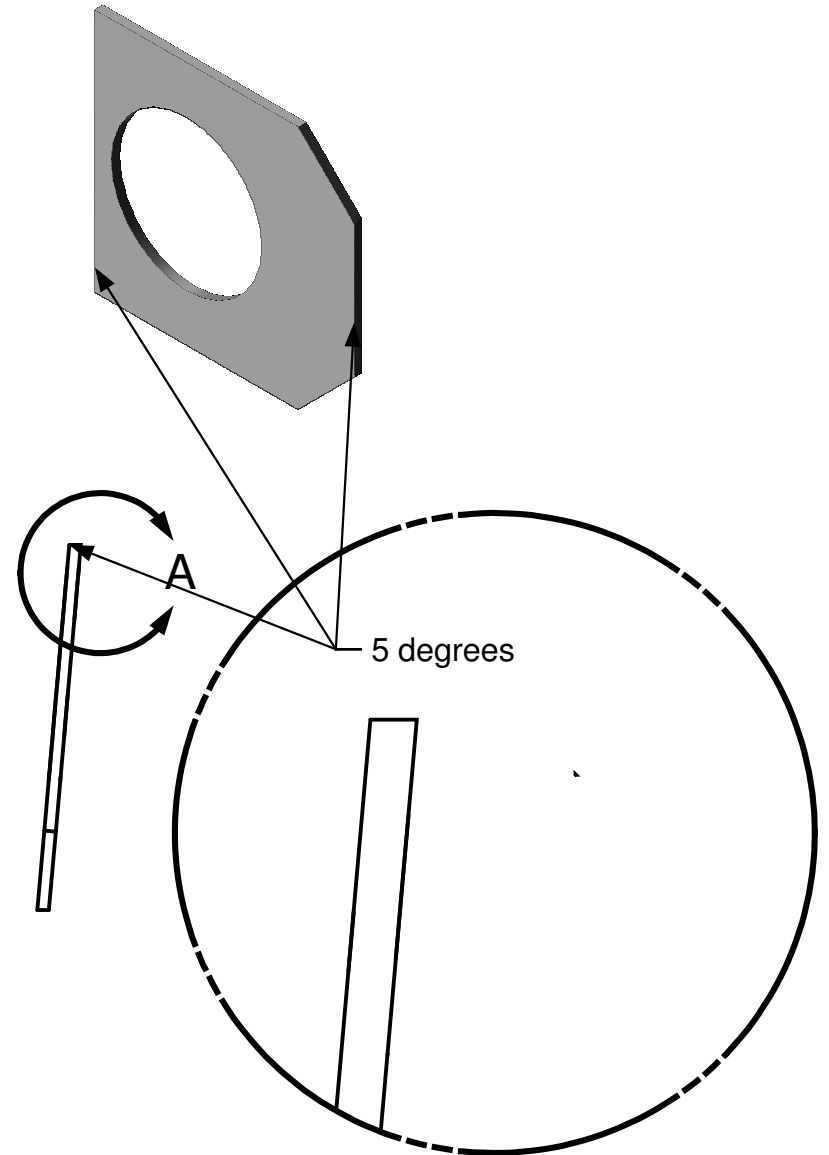
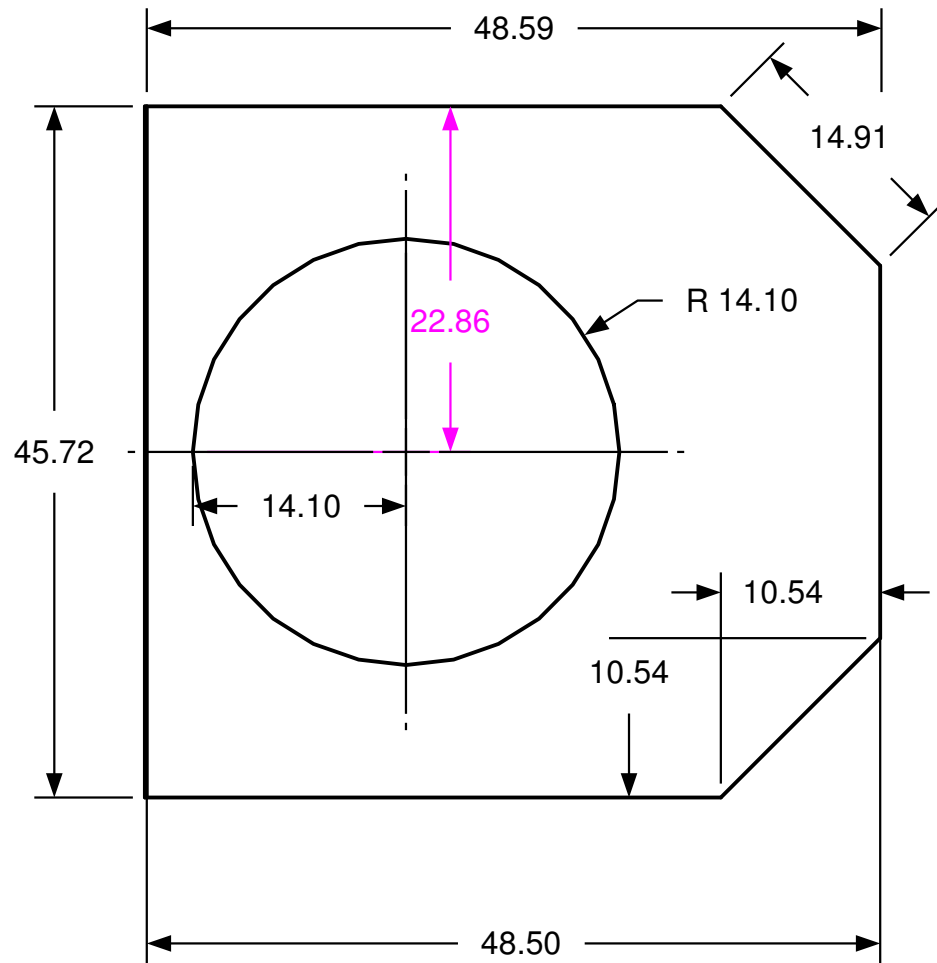
Cursor = 10.4 Ohms at 66.1 Hz (degs)



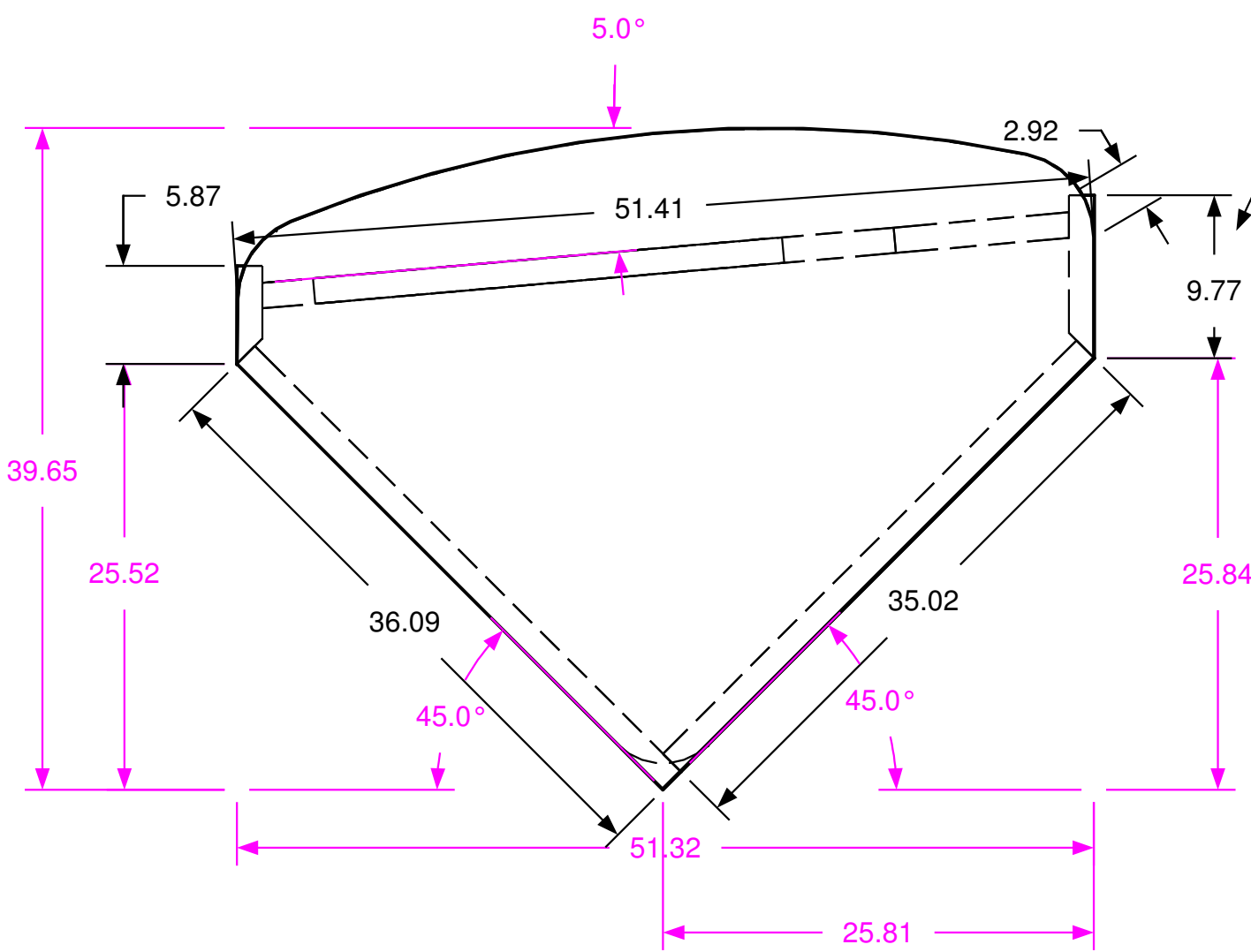




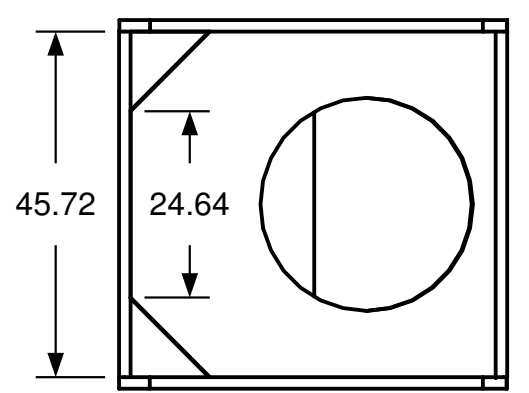
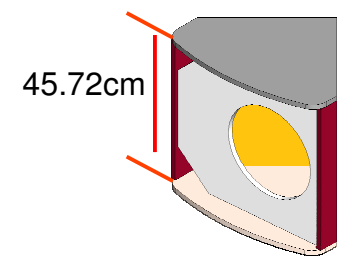
MC122AN TOP
Material 15mm Birch Plywood



MC122AN BAFFLE
Material 15mm Birch Plywood



Baffle recess



ALL INTERNAL PARTS 45.72 CM HIGH

MC122AN INTERNALPARTS
Material 15mm Birch Plywood