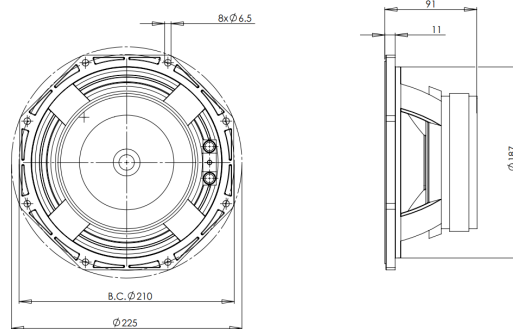


8PS21

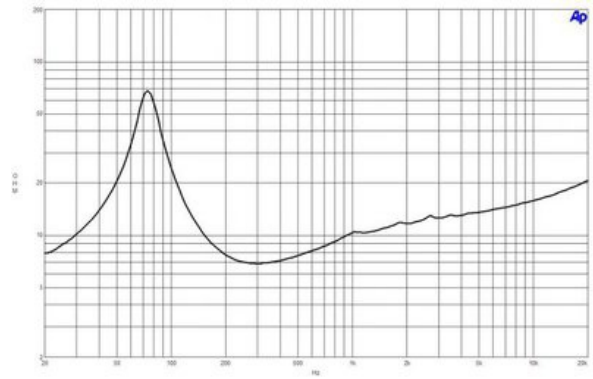
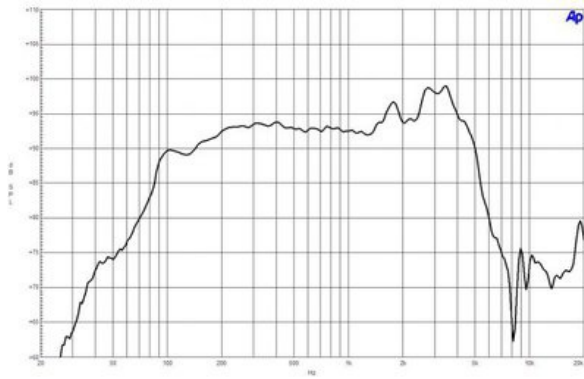
8Ω**LF Drivers - 8.0 Inches**

- 400 W continuous program power capacity
- 51 mm (2 in) copper voice coil
- 70 - 3000 Hz response
- 94 dB sensitivity
- Shorting copper cap for extended HF response



8PS21

LF Drivers- 8.0 Inches



SPECIFICATIONS

Nominal Diameter	200 mm (8.0 in)
Nominal Impedance	8 Ω
Minimum Impedance	7.0 Ω
Nominal Power Handling ¹	200 W
Continuous Power Handling ²	400 W
Sensitivity ³	94.0 dB
Frequency Range	70 - 3000 Hz
Voice Coil Diameter	51 mm (2.0 in)
Winding Material	Copper
Former Material	Kapton
Winding Depth	16.0 mm (0.62 in)
Magnetic Gap Depth	8.0 mm (0.31 in)
Flux Density	1.1 T

DESIGN

Surround Shape	Double Roll
Cone Shape	Exponential
Magnet Material	Ferrite
Spider	Single
Pole Design	T-Pole
Woofer Cone Treatment	None
Recommended Enclosure	14.0 dm ³ (0.49 ft ³)
Recommended Tuning	73 Hz

PARAMETERS⁴

Resonance Frequency	73 Hz
Re	5.4 Ω
Qes	0.36
Qms	4.2
Qts	0.33
Vas	14.0 dm ³ (0.49 ft ³)
Sd	220.0 cm ² (34.1 in ²)
η_0	1.5 %
Xmax	5.0 mm
Xvar	4.0 mm
Mms	23.0 g
Bl	12.6 Txm
Le	0.5 mH
EBP	202 Hz

MOUNTING AND SHIPPING INFO

Overall Diameter	225 mm (8.8 in)
Bolt Circle Diameter	210 mm (8.3 in)
Baffle Cutout Diameter	187.0 mm (7.4 in)
Depth	91 mm (3.6 in)
Flange and Gasket Thickness	11 mm (0.4 in)
Air Volume Occupied by Driver	1.2 dm ³ (0.04 ft ³)
Net Weight	3.3 kg (7.28 lb)
Shipping Units	1
Shipping Weight	3.75 kg (8.27 lb)
Shipping Box	255x255x150 mm (10.04x10.04x5.91 in)

SERVICE KIT

RCK008PS218

1. 2 hours test made with continuous pink noise signal within the range Fs-10Fs. Power calculated on rated nominal impedance. Loudspeaker in free air.
2. Power on Continuous Program is defined as 3 dB greater than the Nominal rating.
3. Applied RMS Voltage is set to 2.83 V for 8 ohms Nominal Impedance.
4. Thiele-Small parameters are measured after a high level 20 Hz sine wave preconditioning test.