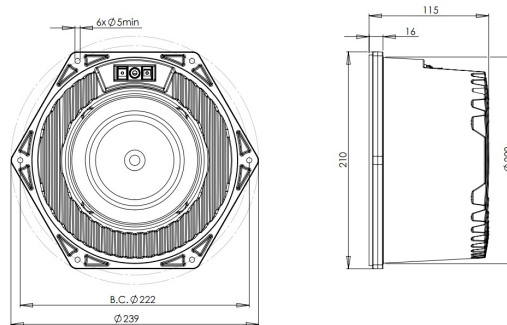


8NSM64

16Ω**LF Drivers - 8.0 Inches**

- 500 W continuous program power capacity
- 64 mm (2.5 in) aluminium voice coil
- 245 - 2000 Hz response
- 100 dB sensitivity
- Ideal for Direct Radiation and Horn Loaded Midrange application



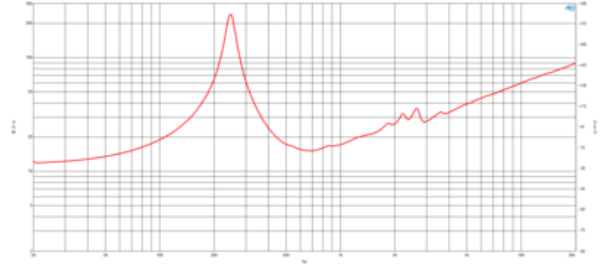
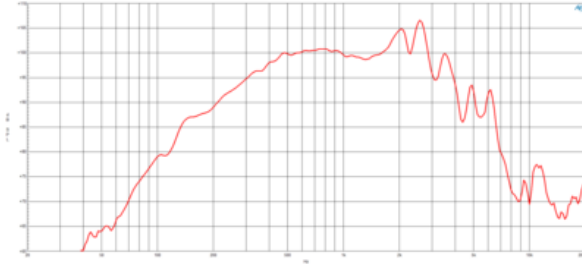
Description

For simplified cabinet assembly and efficient thermal transfer to the air, our NSM series of sealed back midranges feature a cast aluminum sealed chassis, high strength neodymium motor, and large internal volume for good low frequency performance. Large voice coils provide power handling, while careful selection of suspension and cone components results in exceptional sensitivity. These dedicated narrow-bandwidth midranges offer the lowest distortion at given output of any midrange available.

Available exclusively with 6.3+4.8 mm fast-on terminal tab

8NSM64

LF Drivers- 8.0 Inches



SPECIFICATIONS

| | |
|--|-------------------|
| Nominal Diameter | 200 mm (8.0 in) |
| Nominal Impedance | 16 Ω |
| Minimum Impedance | 14.5 Ω |
| Nominal Power Handling ¹ | 250 W |
| Continuous Power Handling ² | 500 W |
| Sensitivity ³ | 100.0 dB |
| Frequency Range | 245 - 2000 Hz |
| Voice Coil Diameter | 64 mm (2.5 in) |
| Winding Material | Aluminium |
| Former Material | Glass Fibre |
| Winding Depth | 14.2 mm (0.56 in) |
| Magnetic Gap Depth | 10.0 mm (0.39 in) |
| Flux Density | 1.55 T |

DESIGN

| | |
|-----------------------|--------------------------|
| Surround Shape | Double Roll |
| Cone Shape | Radial |
| Magnet Material | Neodymium Ring |
| Spider | Single |
| Pole Design | T-Pole |
| Woofer Cone Treatment | WP Waterproof Front Side |

PARAMETERS⁴

| | |
|---------------------|---|
| Resonance Frequency | 245 Hz |
| Re | 10.9 Ω |
| Qes | 0.45 |
| Qms | 10.2 |
| Qts | 0.43 |
| Vas | 1.5 dm ³ (0.05 ft ³) |
| Sd | 220.0 cm ² (34.1 in ²) |
| η _o | 4.7 % |
| Xmax | 2.0 mm |
| Xvar | 1.7 mm |
| Mms | 19.0 g |
| Bl | 28.0 Txm |
| Le | 1.9 mH |
| EBP | 544 Hz |

MOUNTING AND SHIPPING INFO

| | |
|-------------------------------|---|
| Overall Diameter | 239 mm (9.41 in) |
| Bolt Circle Diameter | 222 mm (8.74 in) |
| Baffle Cutout Diameter | 200.0 mm (7.87 in) |
| Depth | 115 mm (4.53 in) |
| Flange and Gasket Thickness | 16 mm (0.63 in) |
| Air Volume Occupied by Driver | 3.5 dm ³ (0.12 ft ³) |
| Net Weight | 4.85 kg (10.69 lb) |
| Shipping Units | 1 |
| Shipping Weight | 5.45 kg (12.02 lb) |
| Shipping Box | 295x314x175 mm (11.61x12.36x6.89 in) |

SERVICE KIT

RCK008NSM6416

1. 2 hours test made with continuous pink noise signal within the range Fs-10Fs. Power calculated on rated nominal impedance. Loudspeaker in free air.
2. Power on Continuous Program is defined as 3 dB greater than the Nominal rating.
3. Applied RMS Voltage is set to 4 V for 16 ohms Nominal Impedance.
4. Thiele-Small parameters are measured after a high level 20 Hz sine wave preconditioning test.