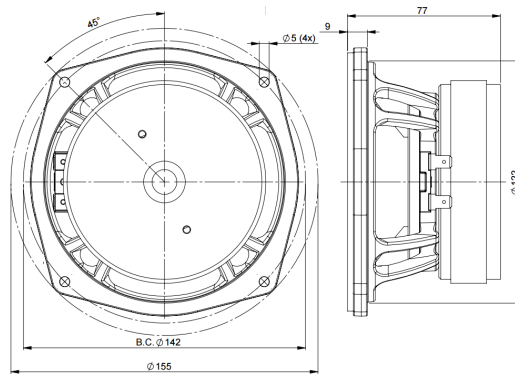


5FG44

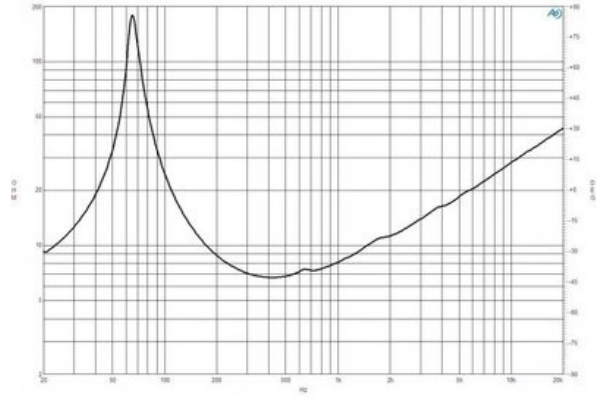
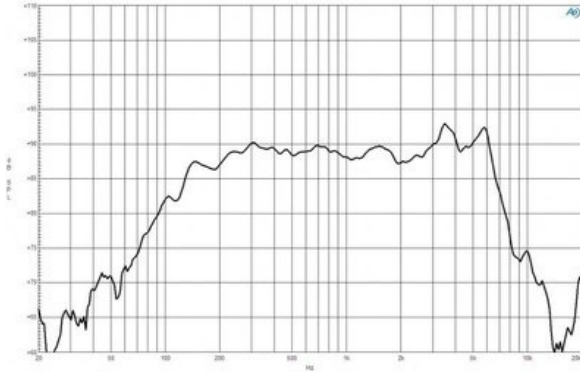
8Ω**LF Drivers - 5.0 Inches**

- 200 W continuous program power capacity
- 44 mm (1.7 in) copper voice coil
- 63 - 6000 Hz response
- 92 dB sensitivity



5FG44

LF Drivers- 5.0 Inches



SPECIFICATIONS

Nominal Diameter	127 mm (5.0 in)
Nominal Impedance	8 Ω
Minimum Impedance	6.5 Ω
Nominal Power Handling ¹	100 W
Continuous Power Handling ²	200 W
Sensitivity ³	92.0 dB
Frequency Range	63 - 6000 Hz
Voice Coil Diameter	44 mm (1.7 in)
Winding Material	Copper
Former Material	Kapton
Winding Depth	9.0 mm (0.35 in)
Magnetic Gap Depth	6.0 mm (0.25 in)
Flux Density	1.1 T

DESIGN

Surround Shape	Roll
Cone Shape	Exponential
Magnet Material	Ferrite
Spider	Single
Pole Design	T-Pole
Woofer Cone Treatment	WP Waterproof Front Side
Recommended Enclosure	5.0 dm ³ (0.17 ft ³)
Recommended Tuning	70 Hz

PARAMETERS⁴

Resonance Frequency	63 Hz
Re	5.8 Ω
Qes	0.3
Qms	10.0
Qts	0.27
Vas	6.3 dm ³ (0.22 ft ³)
Sd	95.0 cm ² (14.7 in ²)
η _o	0.55 %
Xmax	3.0 mm
Xvar	5.0 mm
Mms	12.0 g
Bl	10.0 Txm
Le	0.8 mH
EBP	210 Hz

MOUNTING AND SHIPPING INFO

Overall Diameter	155 mm (6.1 in)
Bolt Circle Diameter	142 mm (5.6 in)
Baffle Cutout Diameter	122.0 mm (4.8 in)
Depth	77 mm (3.03 in)
Flange and Gasket Thickness	9 mm (0.35 in)
Air Volume Occupied by Driver	0.5 dm ³ (0.02 ft ³)
Net Weight	1.6 kg (3.53 lb)
Shipping Units	1
Shipping Weight	1.8 kg (3.97 lb)
Shipping Box	210x210x125 mm (8.27x8.27x4.92 in)

SERVICE KIT

RCK005FG448

1. 2 hours test made with continuous pink noise signal within the range Fs-10Fs. Power calculated on rated nominal impedance. Loudspeaker in free air.
2. Power on Continuous Program is defined as 3 dB greater than the Nominal rating.
3. Applied RMS Voltage is set to 2.83 V for 8 ohms Nominal Impedance.
4. Thiele-Small parameters are measured after a high level 20 Hz sine wave preconditioning test.