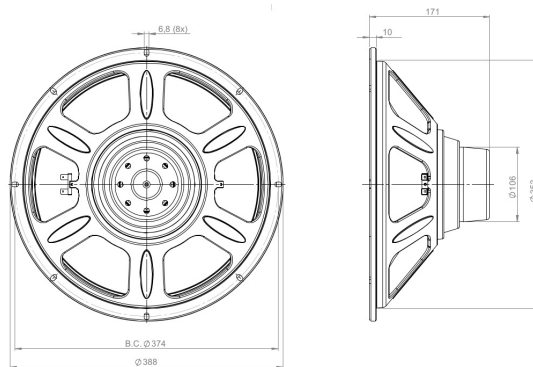


15CLA76

8Ω**LF Drivers - 15.0 Inches**

- 700 W continuous program power capacity
- 76 mm (3 in) CCAW voice coil
- 40 - 3000 Hz response
- 99 dB sensitivity
- Ventilated voice coil gap for reduced power compression

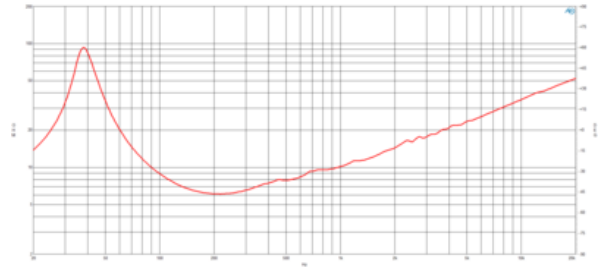
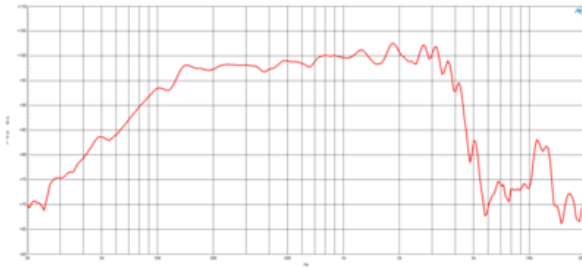


Description

Careful optimization of our lightest woofer series, now offered with a high temperature copper-clad aluminum voice coil, is rewarded with higher sensitivity and smoother high frequency response. An efficiently designed motor makes these a good fit for many more applications, especially where flown, and manufacturing design means the CLA series can be price competitive with ferrite motor designs offering similar performance.

15CLA76

LF Drivers- 15.0 Inches



SPECIFICATIONS

Nominal Diameter	380 mm (15.0 in)
Nominal Impedance	8 Ω
Minimum Impedance	6.0 Ω
Nominal Power Handling ¹	350 W
Continuous Power Handling ²	700 W
Sensitivity ³	99.0 dB
Frequency Range	40 - 3000 Hz
Voice Coil Diameter	76 mm (3.0 in)
Winding Material	CCAW
Former Material	Glass Fibre
Winding Depth	16.0 mm (0.63 in)
Magnetic Gap Depth	11.0 mm (0.43 in)
Flux Density	1.2 T

DESIGN

Surround Shape	Triple Roll
Cone Shape	Exponential
Magnet Material	Neodymium Inside Slug
Spider	Single
Pole Design	Straight Pole
Woofer Cone Treatment	WP Waterproof Front Side
Recommended Enclosure	100.0 dm ³ (3.53 ft ³)
Recommended Tuning	50 Hz

PARAMETERS⁴

Resonance Frequency	40 Hz
Re	5.2 Ω
Qes	0.31
Qms	6.9
Qts	0.3
Vas	176.0 dm ³ (6.22 ft ³)
Sd	855.0 cm ² (132.53 in ²)
η _o	3.5 %
Xmax	5.5 mm
Xvar	7.5 mm
Mms	93.0 g
Bl	19.8 Txm
Le	0.5 mH
EBP	129 Hz

MOUNTING AND SHIPPING INFO

Overall Diameter	388 mm (15.28 in)
Bolt Circle Diameter	374 mm (14.72 in)
Baffle Cutout Diameter	353.0 mm (13.9 in)
Depth	171 mm (6.73 in)
Flange and Gasket Thickness	10 mm (0.39 in)
Air Volume Occupied by Driver	4.4 dm ³ (0.16 ft ³)
Net Weight	3.9 kg (8.6 lb)
Shipping Units	1
Shipping Weight	5.2 kg (11.46 lb)
Shipping Box	425x425x224 mm (16.73x16.73x8.82 in)

SERVICE KIT

RCK15CLA768

1. 2 hours test made with continuous pink noise signal within the range Fs-10Fs. Power calculated on rated nominal impedance. Loudspeaker in free air.
2. Power on Continuous Program is defined as 3 dB greater than the Nominal rating.
3. Applied RMS Voltage is set to 2.83 V for 8 ohms Nominal Impedance.
4. Thiele-Small parameters are measured after a high level 20 Hz sine wave preconditioning test.

B&C Speakers s.p.a.

Via Poggioromo, 1 - Loc. Vallina, 50012 Bagno a Ripoli (FI) - ITALY - Tel. +39 055 65721 - Fax +39 055 6572312 - mail@bcspeakers.com